

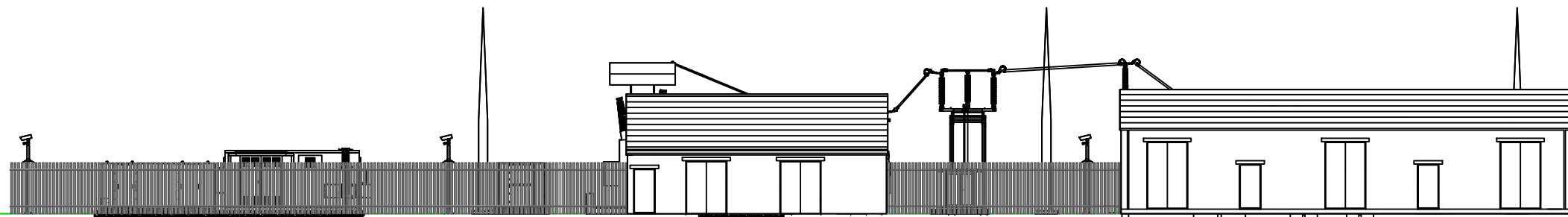
**DUNBEG SOUTH EXTENSION
WIND FARM**

FIGURE 1.6

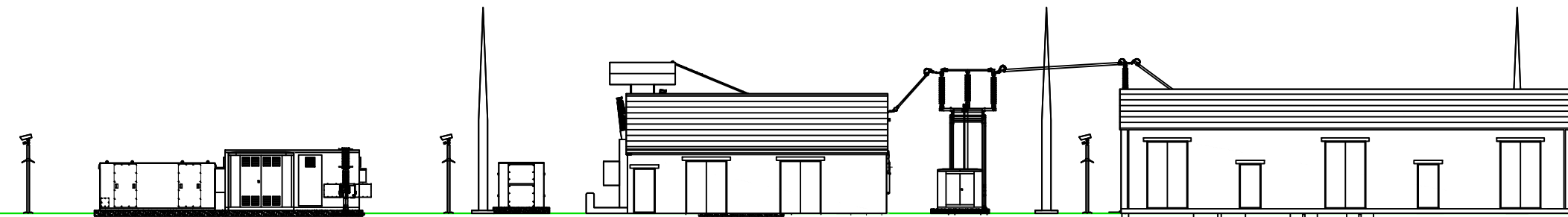
**CONTROL BUILDINGS &
SUBSTATION COMPOUND
ELEVATIONS**

NOTES

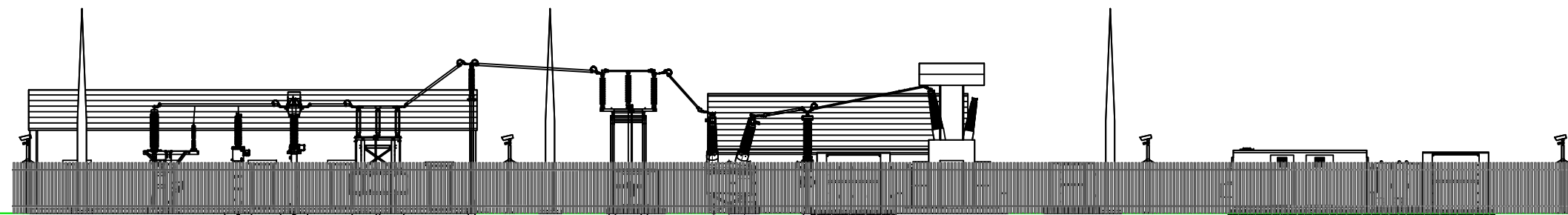
1. ALL DIMENSIONS ARE IN METRES UNLESS STATED OTHERWISE.
2. THIS DRAWING IS PRELIMINARY AND SUBJECT TO CHANGE AT THE DETAILED DESIGN STAGE.



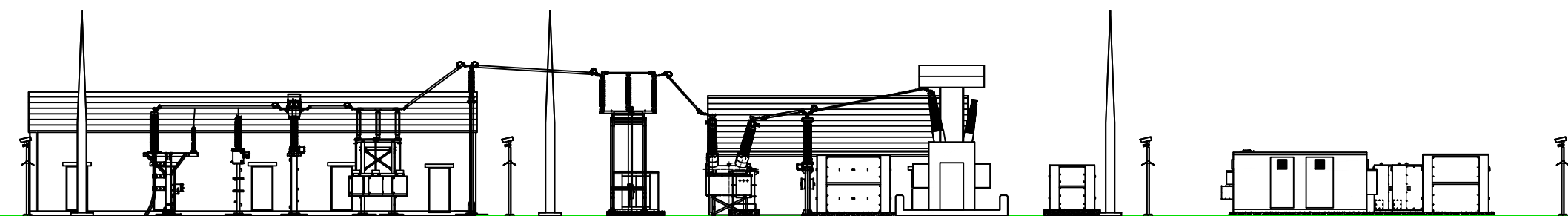
SUBSTATION COMPOUND ELEVATION C
SCALE 1:250



SUBSTATION COMPOUND ELEVATION C
(WITHOUT FENCE)
SCALE 1:250



SUBSTATION COMPOUND ELEVATION A
SCALE 1:250



SUBSTATION COMPOUND ELEVATION A
(WITHOUT FENCE)
SCALE 1:250

COMPOUND ELEVATIONS
INDICATING OUTDOOR SWITCHGEAR
SHEET 12 OF 12

LAYOUT DWG	N/A	T-LAYOUT NO.	N/A
------------	-----	--------------	-----

DRAWING NUMBER	05214-RES-SUB-DR-EE-002	REV	1
----------------	-------------------------	-----	---

SCALE - AS SHOWN @ A3

**ENVIRONMENTAL STATEMENT
2024**

THIS DRAWING IS THE PROPERTY OF RENEWABLE ENERGY SYSTEMS LTD. AND NO REPRODUCTION MAY BE MADE IN WHOLE OR IN PART WITHOUT PERMISSION

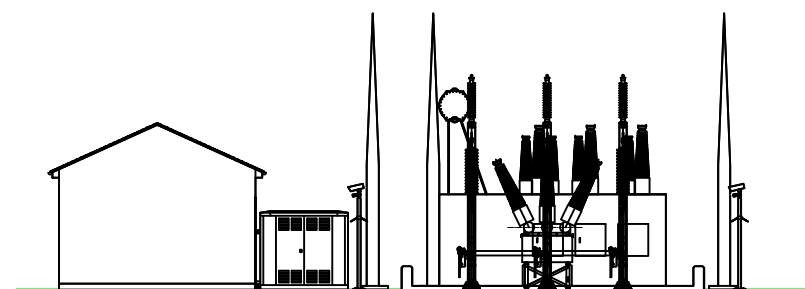
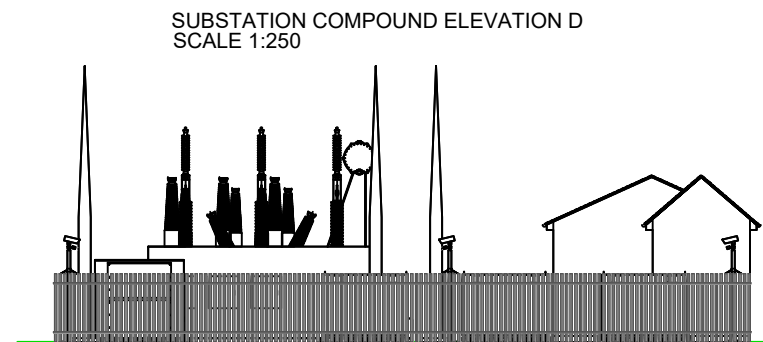
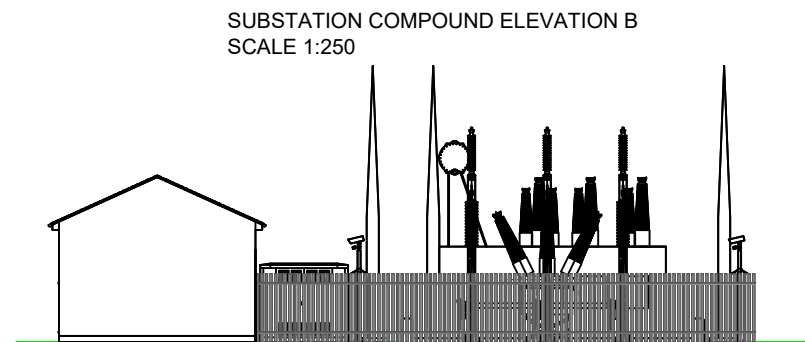
**DUNBEG SOUTH EXTENSION
WIND FARM**

FIGURE 1.6

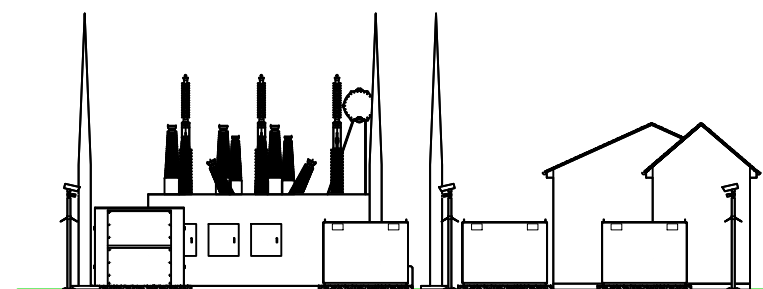
**CONTROL BUILDINGS &
SUBSTATION COMPOUND
ELEVATIONS**

NOTES

1. ALL DIMENSIONS ARE IN METRES UNLESS STATED OTHERWISE.
2. THIS DRAWING IS PRELIMINARY AND SUBJECT TO CHANGE AT THE DETAILED DESIGN STAGE.



SUBSTATION COMPOUND ELEVATION B
(WITHOUT FENCE)
SCALE 1:250



SUBSTATION COMPOUND ELEVATION D
(WITHOUT FENCE)
SCALE 1:250

COMPOUND ELEVATIONS
SHEET 2 OF 22.

LAYOUT DWG	N/A	T-LAYOUT NO.	N/A
------------	-----	--------------	-----

DRAWING NUMBER	05214-RES-SUB-DR-EE-002	REV	1
----------------	-------------------------	-----	---

SCALE - AS SHOWN @ A3

**ENVIRONMENTAL STATEMENT
2024**

THIS DRAWING IS THE PROPERTY OF RENEWABLE ENERGY SYSTEMS LTD. AND NO REPRODUCTION MAY BE MADE IN WHOLE OR IN PART WITHOUT PERMISSION

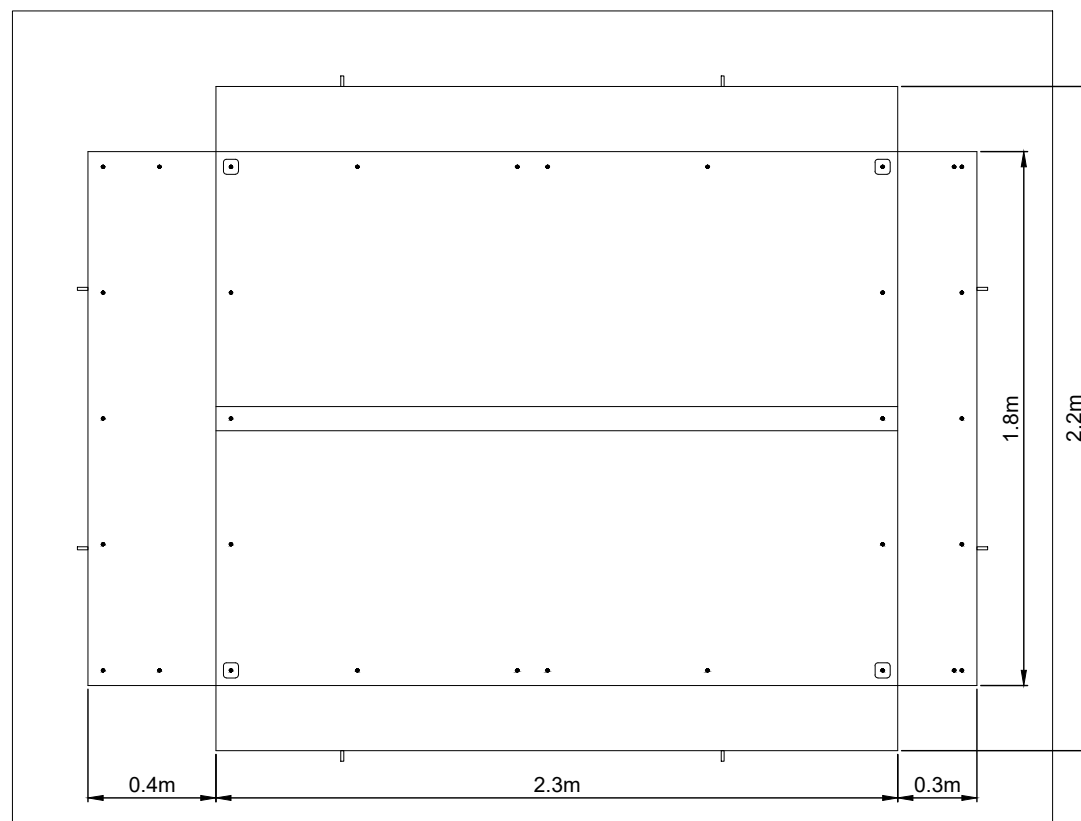
**DUNBEG SOUTH EXTENSION
WIND FARM**

FIGURE 1.6

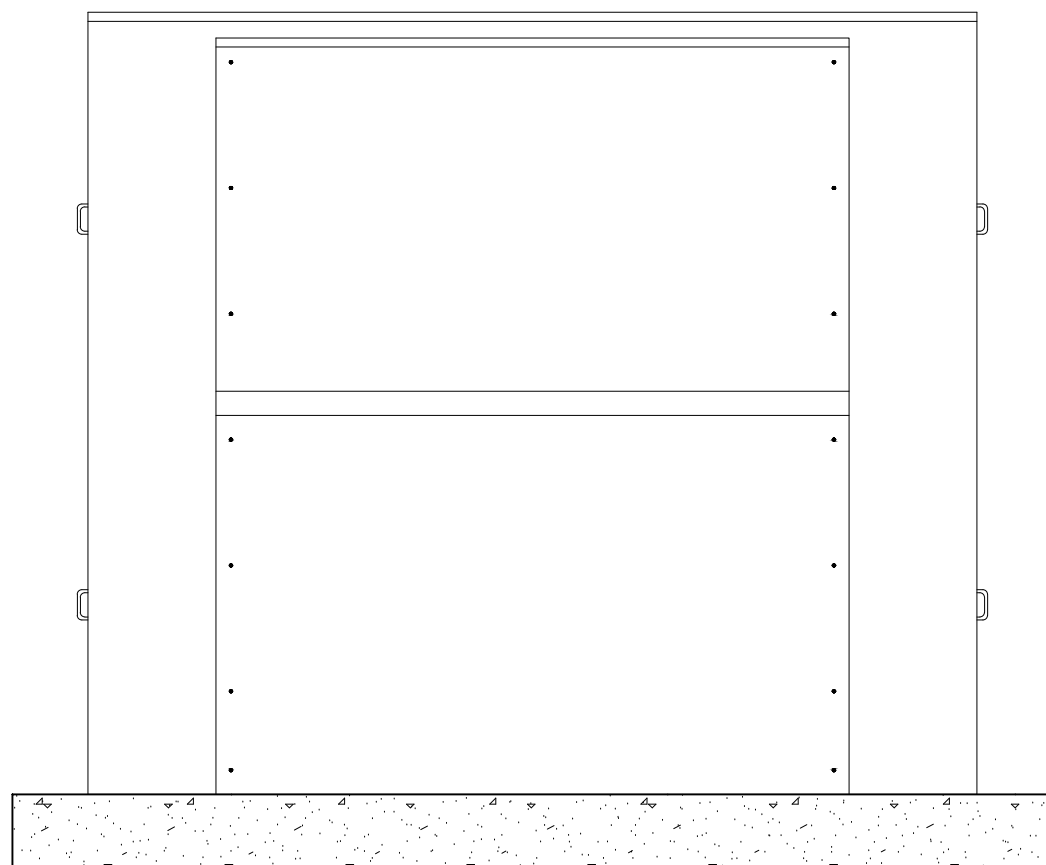
**CONTROL BUILDINGS &
SUBSTATION COMPOUND
ELEVATIONS**

NOTES

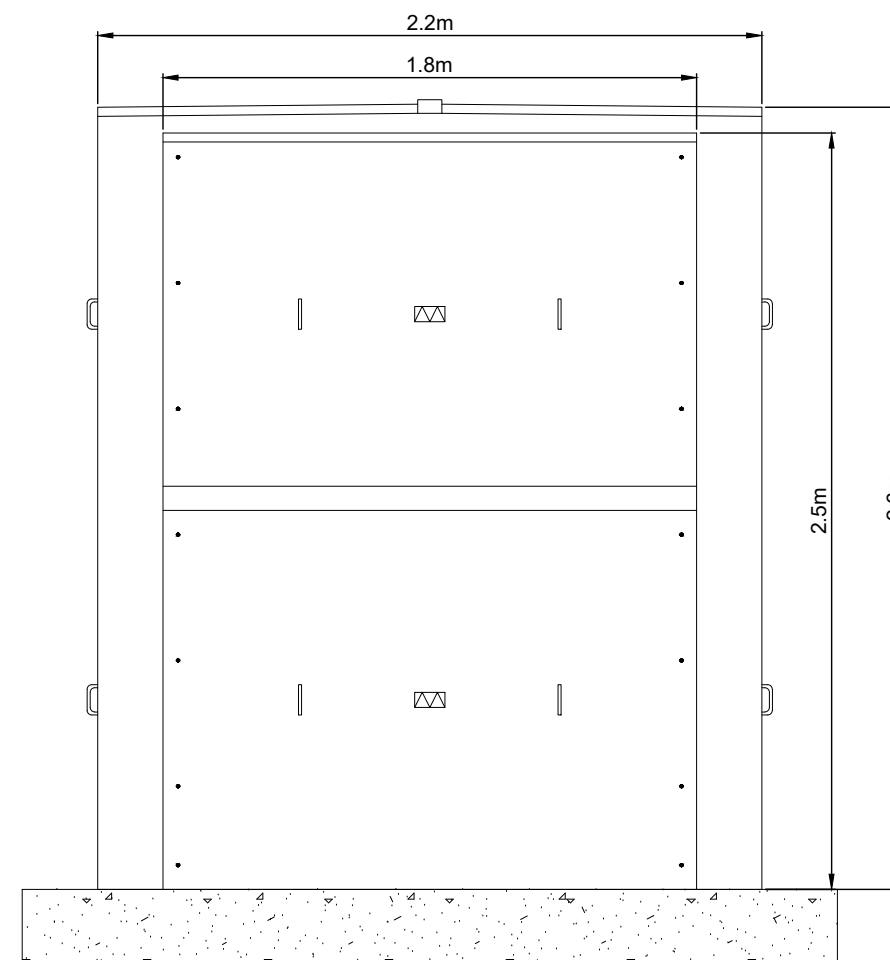
1. ALL DIMENSIONS ARE IN METRES UNLESS STATED OTHERWISE.
2. THIS DRAWING IS PRELIMINARY AND SUBJECT TO CHANGE AT THE DETAILED DESIGN STAGE.



INDICATIVE RESISTOR - PLAN VIEW
SCALE - 1:25



INDICATIVE RESISTOR - FRONT ELEVATION
SCALE - 1:25



INDICATIVE RESISTOR - SIDE ELEVATION
SCALE - 1:25

INDICATIVE RESISTOR
SHEET 3 OF 22.

LAYOUT DWG	N/A	T-LAYOUT NO.	N/A
------------	-----	--------------	-----

DRAWING NUMBER	05214-RES-SUB-DR-EE-002	REV	1
----------------	-------------------------	-----	---

SCALE - AS SHOWN @ A3

**ENVIRONMENTAL STATEMENT
2024**

THIS DRAWING IS THE PROPERTY OF RENEWABLE ENERGY SYSTEMS LTD. AND NO REPRODUCTION MAY BE MADE IN WHOLE OR IN PART WITHOUT PERMISSION

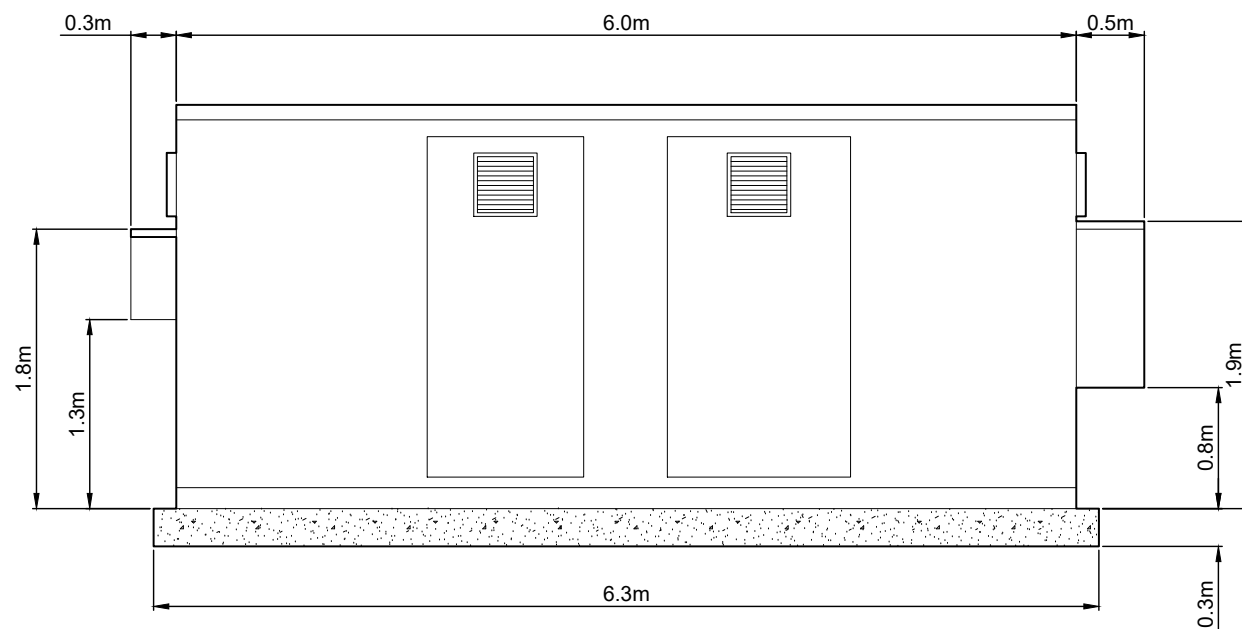
**DUNBEG SOUTH EXTENSION
WIND FARM**

FIGURE 1.6

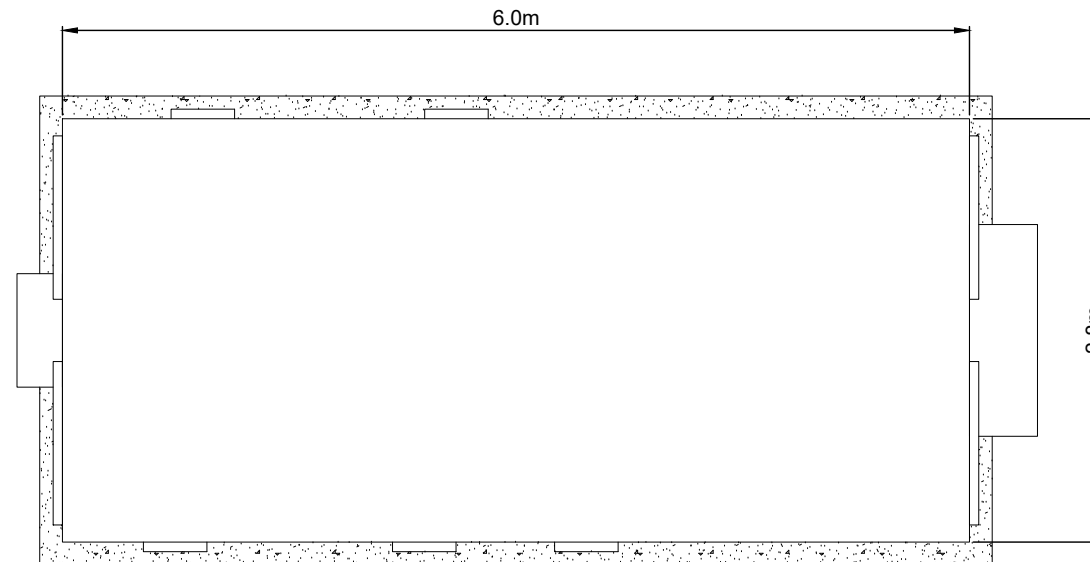
**CONTROL BUILDINGS &
SUBSTATION COMPOUND
ELEVATIONS**

NOTES

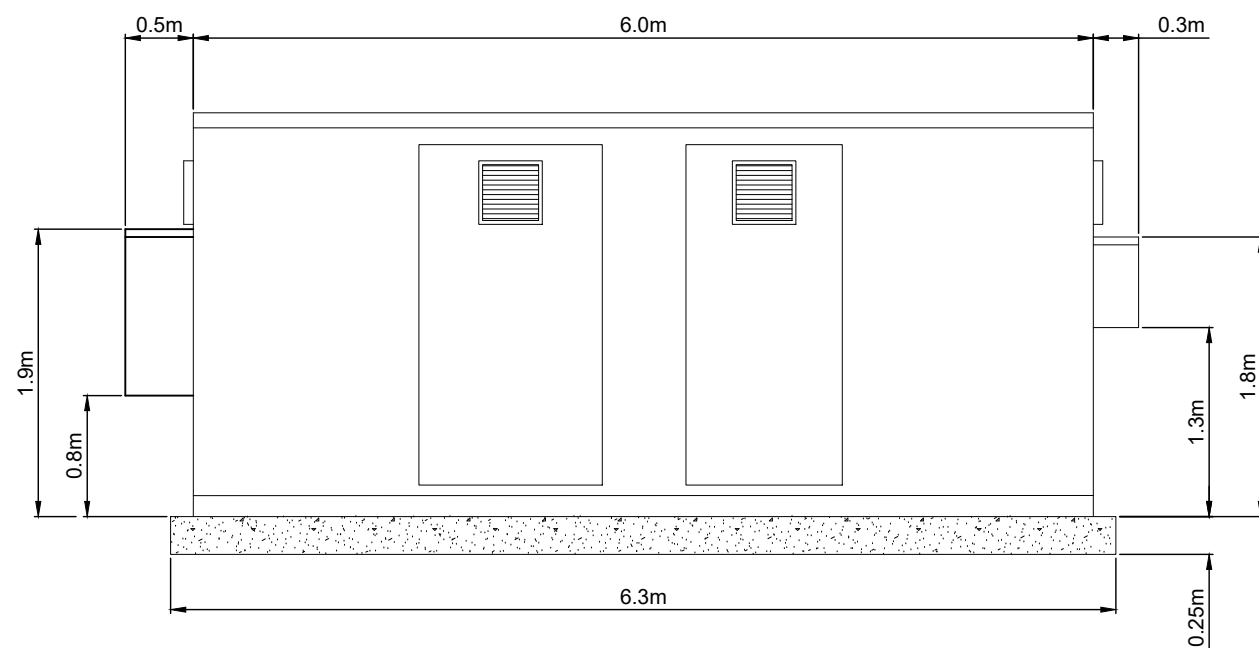
1. ALL DIMENSIONS ARE IN METRES UNLESS STATED OTHERWISE.
2. THIS DRAWING IS PRELIMINARY AND SUBJECT TO CHANGE AT THE DETAILED DESIGN STAGE.



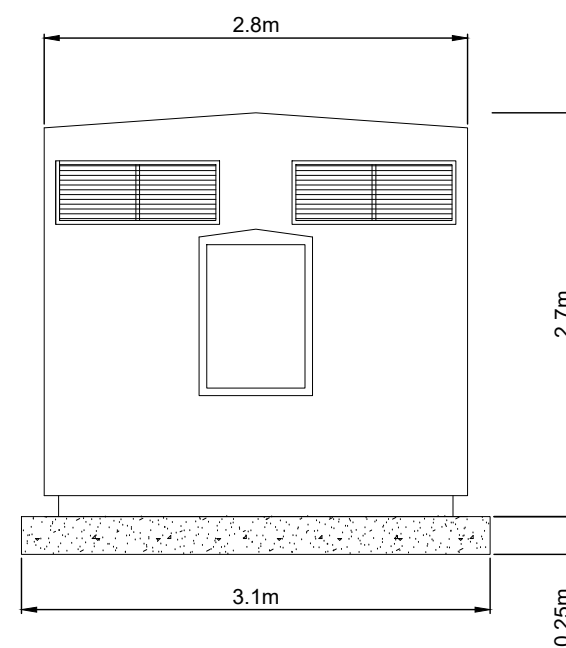
INDICATIVE HARMONIC FILTER - FRONT ELEVATION
SCALE - 1:50



INDICATIVE HARMONIC FILTER - PLAN VIEW
SCALE - 1:50



INDICATIVE HARMONIC FILTER - REAR ELEVATION
SCALE - 1:50



INDICATIVE HARMONIC FILTER - SIDE ELEVATION
SCALE - 1:50

**INDICATIVE HARMONIC
FILTER
SHEET 4 OF 22.**

LAYOUT DWG	N/A	T-LAYOUT NO.	N/A
------------	-----	--------------	-----

DRAWING NUMBER	05214-RES-SUB-DR-EE-002	REV	1
----------------	-------------------------	-----	---

SCALE - AS SHOWN @ A3

**ENVIRONMENTAL STATEMENT
2024**

THIS DRAWING IS THE PROPERTY OF RENEWABLE ENERGY SYSTEMS LTD. AND NO REPRODUCTION MAY BE MADE IN WHOLE OR IN PART WITHOUT PERMISSION

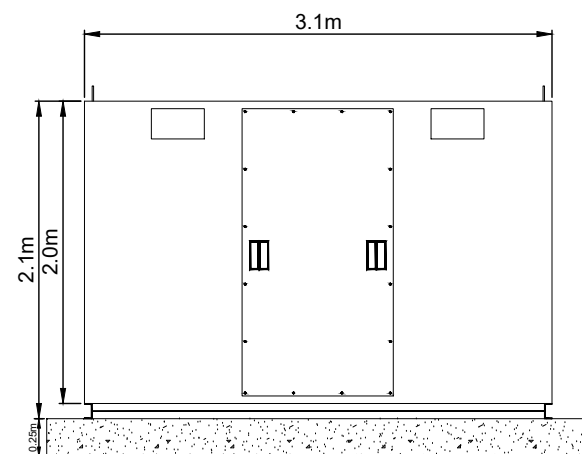
**DUNBEG SOUTH EXTENSION
WIND FARM**

FIGURE 1.6

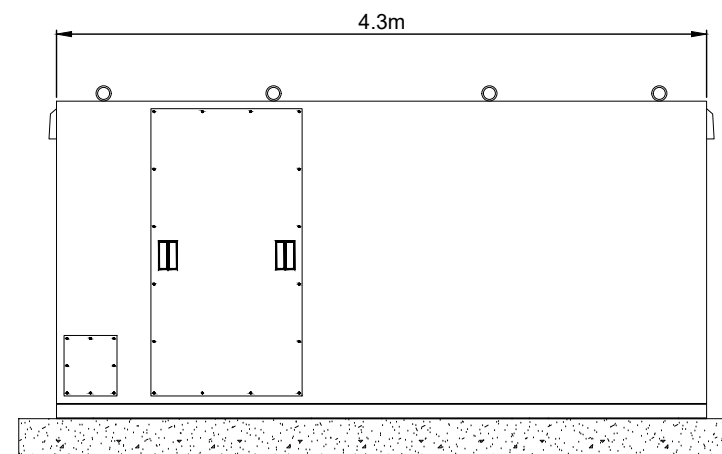
**CONTROL BUILDINGS &
SUBSTATION COMPOUND
ELEVATIONS**

NOTES

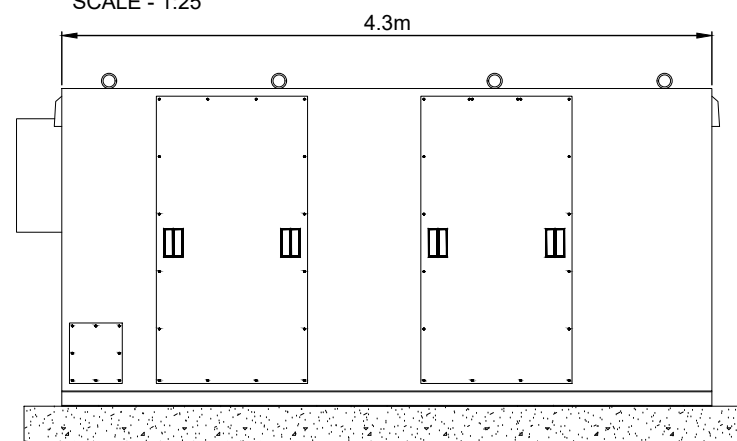
1. ALL DIMENSIONS ARE IN METRES UNLESS STATED OTHERWISE.
2. THIS DRAWING IS PRELIMINARY AND SUBJECT TO CHANGE AT THE DETAILED DESIGN STAGE.



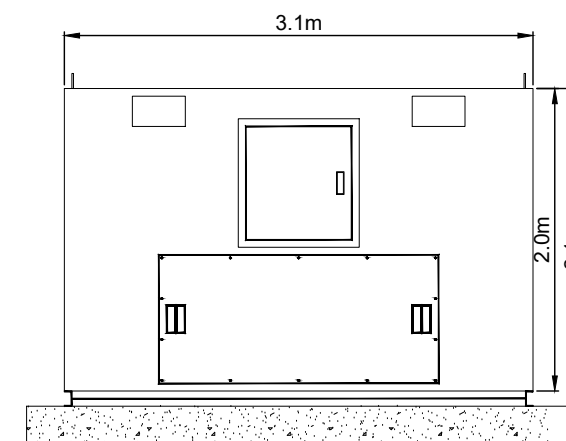
INDICATIVE CAPACITOR BANK - EXTERNAL LHS
SCALE - 1:25



INDICATIVE CAPACITOR BANK - EXTERNAL FRONT
SCALE - 1:25



INDICATIVE CAPACITOR BANK - EXTERNAL REAR
SCALE - 1:25



INDICATIVE CAPACITOR BANK - EXTERNAL RHS
SCALE - 1:25

INDICATIVE CAPACITOR
BANK
SHEET 5 OF 22.

LAYOUT DWG	N/A	T-LAYOUT NO.	N/A
------------	-----	--------------	-----

DRAWING NUMBER	05214-RES-SUB-DR-EE-002	REV	1
----------------	-------------------------	-----	---

SCALE - AS SHOWN @ A3

**ENVIRONMENTAL STATEMENT
2024**

THIS DRAWING IS THE PROPERTY OF RENEWABLE ENERGY SYSTEMS LTD. AND NO REPRODUCTION MAY BE MADE IN WHOLE OR IN PART WITHOUT PERMISSION

**DUNBEG SOUTH EXTENSION
WIND FARM**

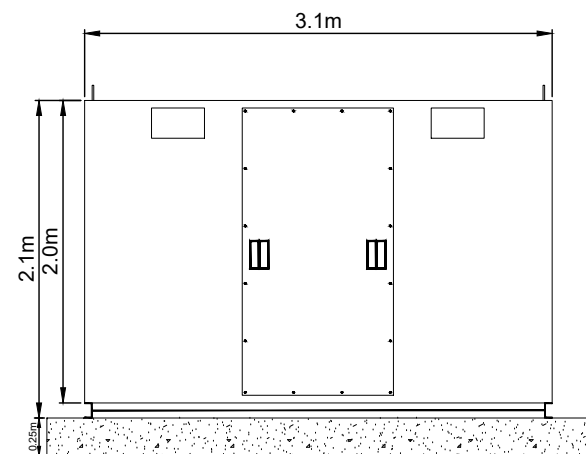
FIGURE 1.6

**CONTROL BUILDINGS &
SUBSTATION COMPOUND
ELEVATIONS**

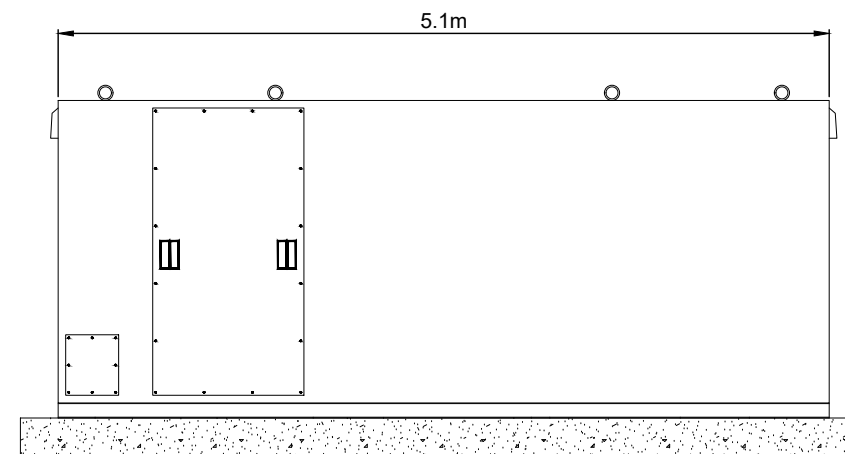
NOTES

1. ALL DIMENSIONS ARE IN METRES UNLESS STATED OTHERWISE.
2. THIS DRAWING IS PRELIMINARY AND SUBJECT TO CHANGE AT THE DETAILED DESIGN STAGE.

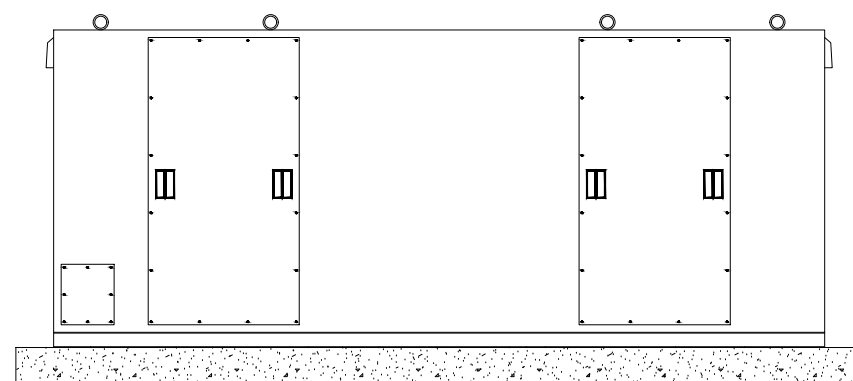
INDICATIVE REACTOR
SHEET 6 OF 22.



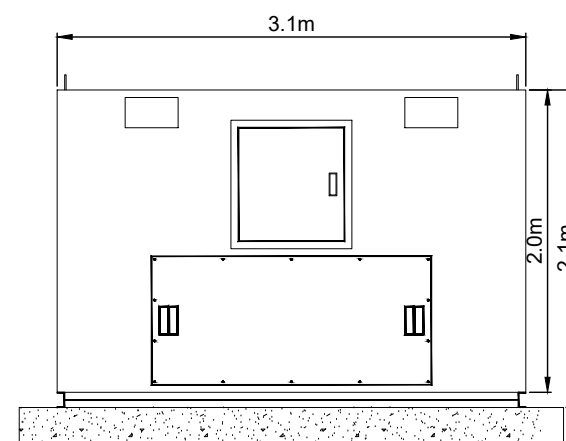
INDICATIVE REACTOR - EXTERNAL LHS
SCALE - 1:25



INDICATIVE REACTOR - EXTERNAL FRONT
SCALE - 1:25



INDICATIVE REACTOR - EXTERNAL REAR
SCALE - 1:25



INDICATIVE REACTOR - EXTERNAL RHS
SCALE - 1:25

LAYOUT DWG	N/A	T-LAYOUT NO.	N/A
------------	-----	--------------	-----

DRAWING NUMBER	05214-RES-SUB-DR-EE-002	REV	1
----------------	-------------------------	-----	---

SCALE - AS SHOWN @ A3

**ENVIRONMENTAL STATEMENT
2024**

THIS DRAWING IS THE PROPERTY OF RENEWABLE ENERGY SYSTEMS LTD. AND NO REPRODUCTION MAY BE MADE IN WHOLE OR IN PART WITHOUT PERMISSION

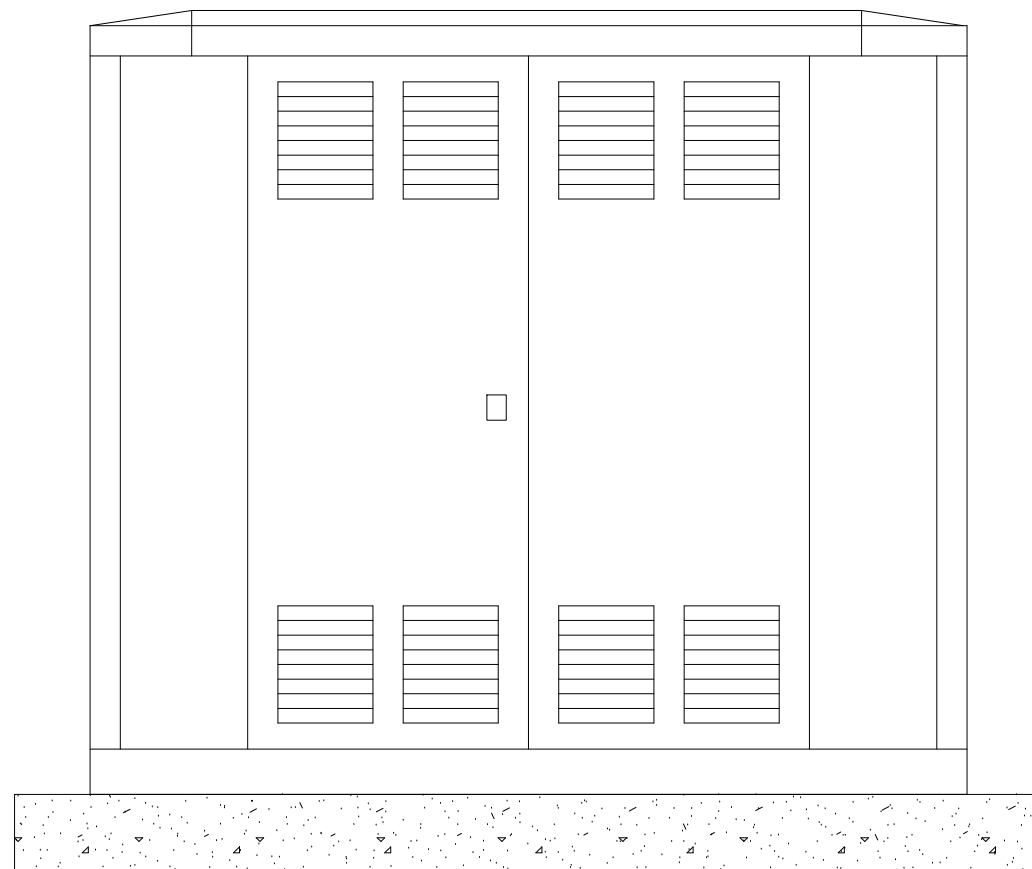
**DUNBEG SOUTH EXTENSION
WIND FARM**

FIGURE 1.6

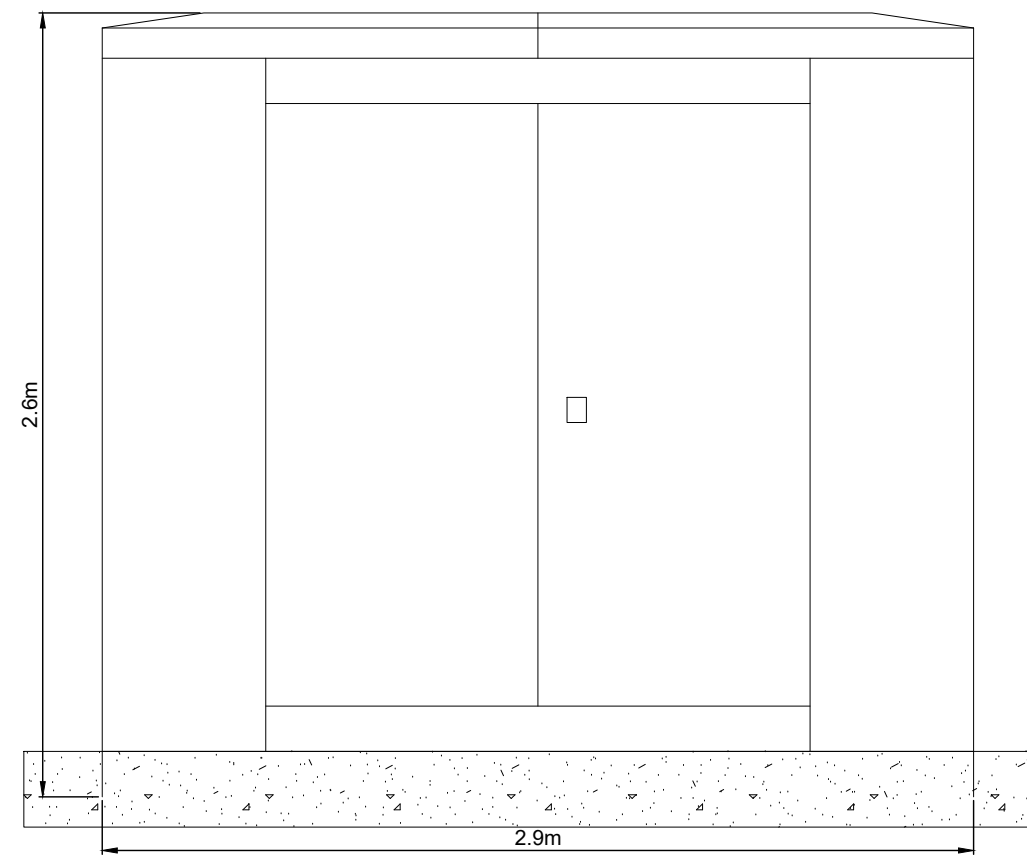
**CONTROL BUILDINGS &
SUBSTATION COMPOUND
ELEVATIONS**

NOTES

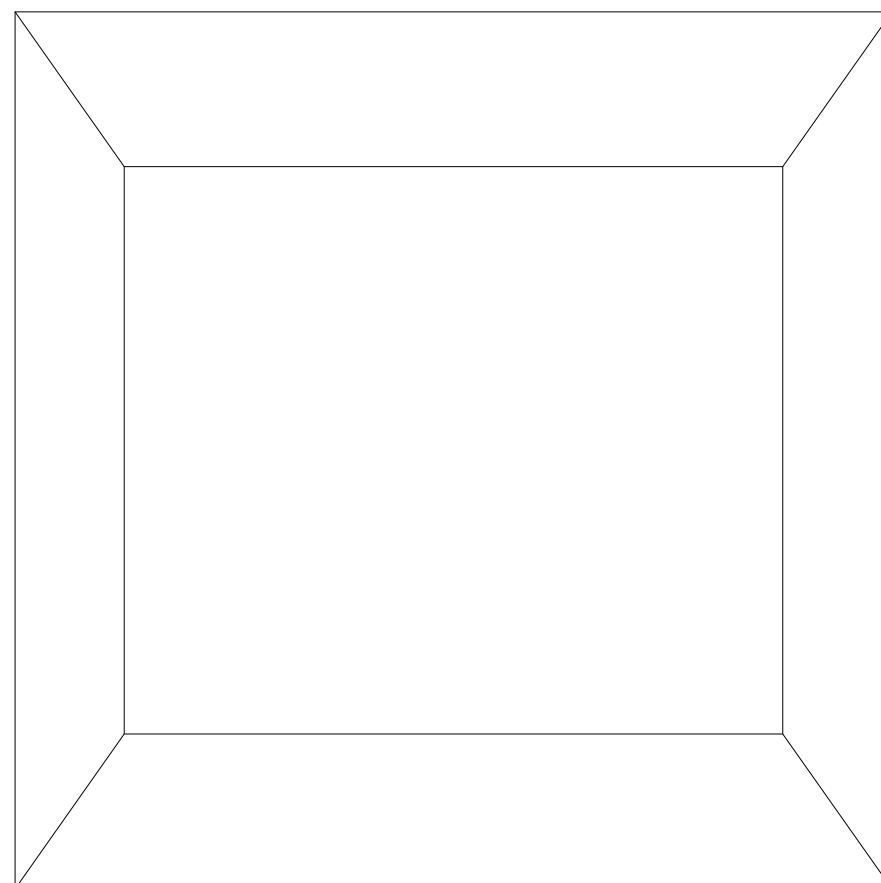
1. ALL DIMENSIONS ARE IN METRES UNLESS STATED OTHERWISE.
2. THIS DRAWING IS PRELIMINARY AND SUBJECT TO CHANGE AT THE DETAILED DESIGN STAGE.



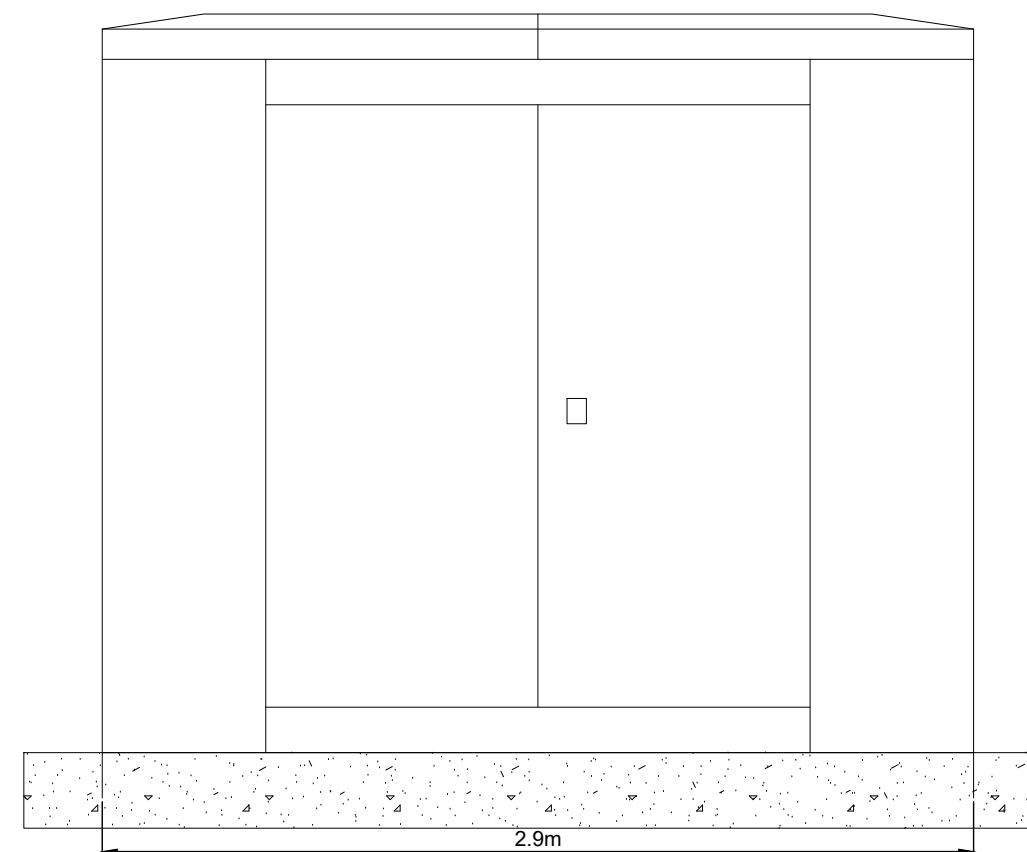
**INDICATIVE CAPACITOR SWITCH - FRONT
ELEVATION**
SCALE - 1:25



**INDICATIVE CAPACITOR SWITCH - REAR
ELEVATION**
SCALE - 1:25



INDICATIVE CAPACITOR SWITCH - PLAN
SCALE - 1:25



**INDICATIVE CAPACITOR SWITCH - SIDE
ELEVATION**
SCALE - 1:25

INDICATIVE CAPACITOR
SWITCH
SHEET 7 OF 22.

LAYOUT DWG	N/A	T-LAYOUT NO.	N/A
------------	-----	--------------	-----

DRAWING NUMBER	05214-RES-SUB-DR-EE-002	REV	1
----------------	-------------------------	-----	---

SCALE - AS SHOWN @ A3

**ENVIRONMENTAL STATEMENT
2024**

THIS DRAWING IS THE PROPERTY OF RENEWABLE ENERGY SYSTEMS LTD. AND NO REPRODUCTION MAY BE MADE IN WHOLE OR IN PART WITHOUT PERMISSION

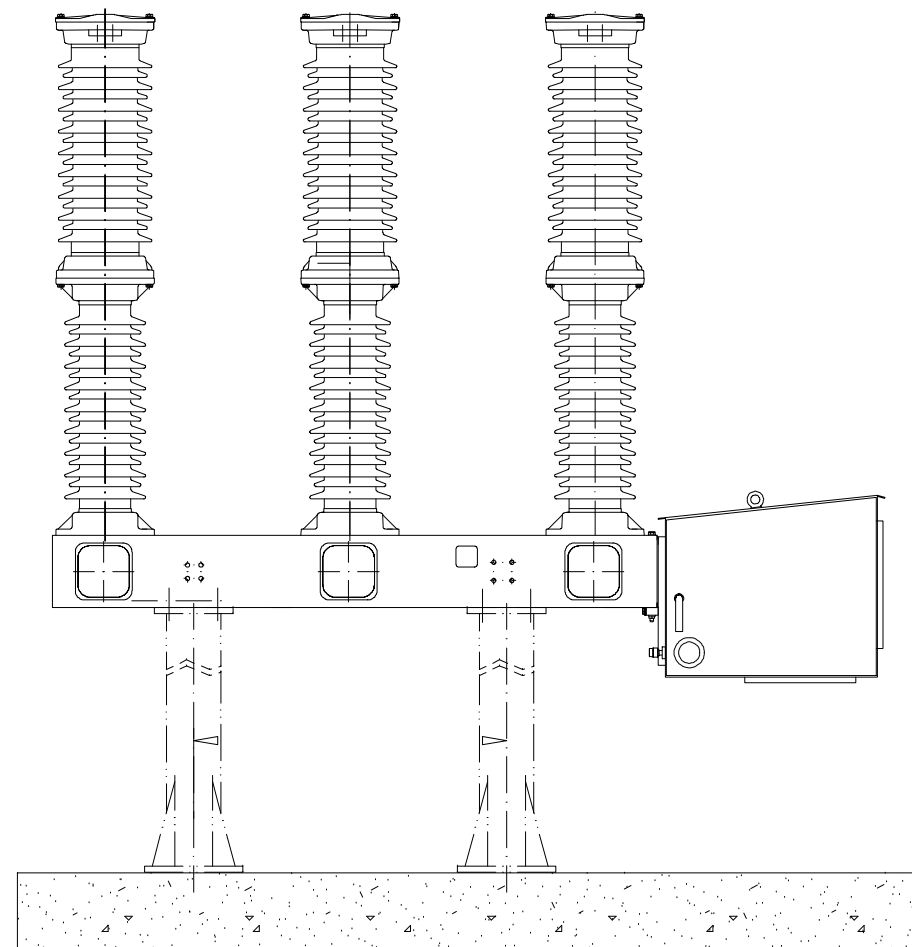
**DUNBEG SOUTH EXTENSION
WIND FARM**

FIGURE 1.6

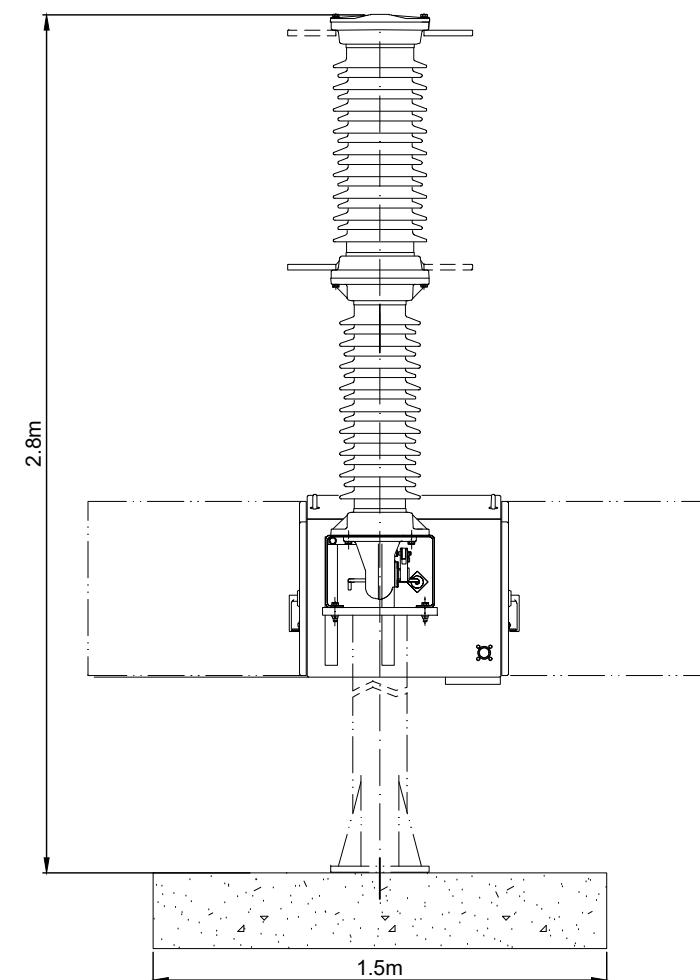
**CONTROL BUILDINGS &
SUBSTATION COMPOUND
ELEVATIONS**

NOTES

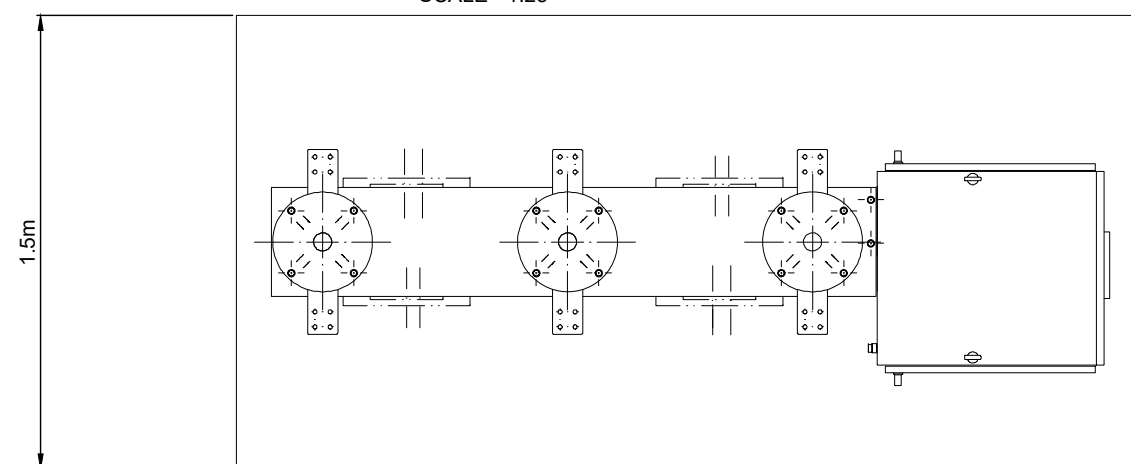
1. ALL DIMENSIONS ARE IN METRES UNLESS STATED OTHERWISE.
2. THIS DRAWING IS PRELIMINARY AND SUBJECT TO CHANGE AT THE DETAILED DESIGN STAGE.



**INDICATIVE CAPACITOR CIRCUIT BREAKER
- FRONT ELEVATION**
SCALE - 1:25



**INDICATIVE CAPACITOR CIRCUIT BREAKER
- SIDE ELEVATION**
SCALE - 1:25



**INDICATIVE CAPACITOR CIRCUIT BREAKER
- PLAN**
SCALE - 1:25

INDICATIVE CAPACITOR
CIRCUIT BREAKER
SHEET 8 OF 22.

LAYOUT DWG	N/A	T-LAYOUT NO.	N/A
------------	-----	--------------	-----

DRAWING NUMBER	05214-RES-SUB-DR-EE-002	REV	1
----------------	-------------------------	-----	---

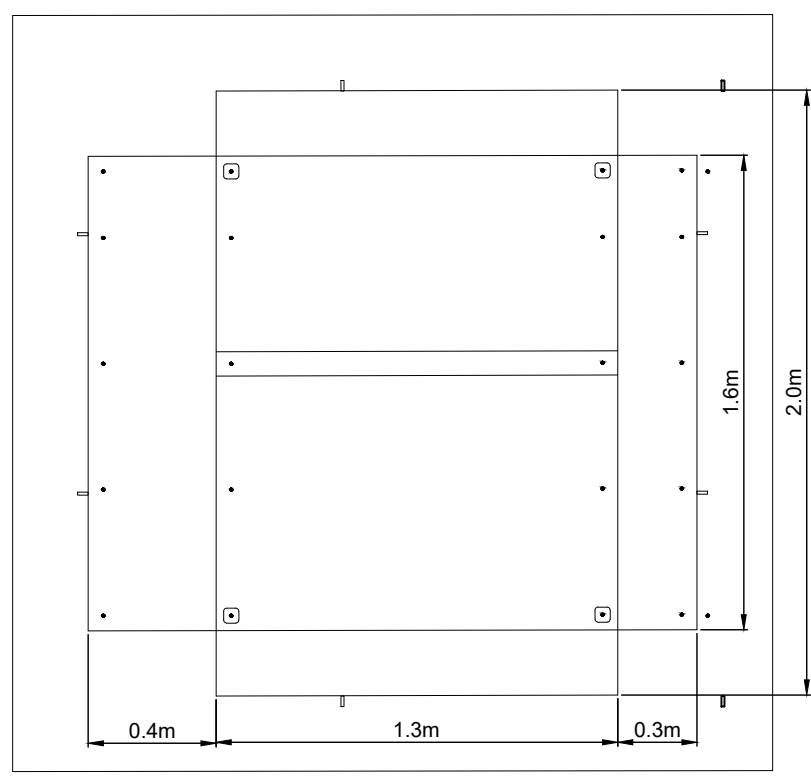
SCALE - AS SHOWN @ A3

**ENVIRONMENTAL STATEMENT
2024**

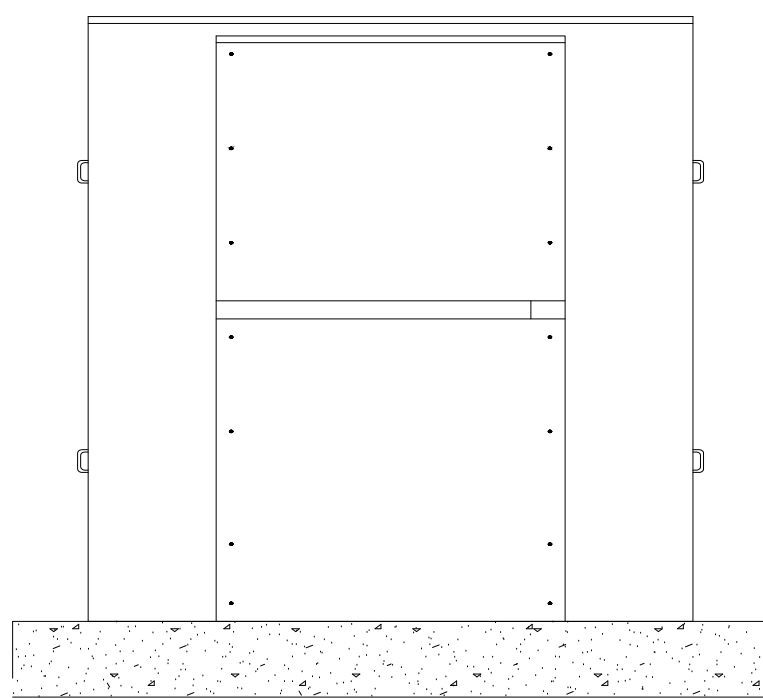
THIS DRAWING IS THE PROPERTY OF RENEWABLE ENERGY SYSTEMS LTD. AND NO REPRODUCTION MAY BE MADE IN WHOLE OR IN PART WITHOUT PERMISSION

NOTES

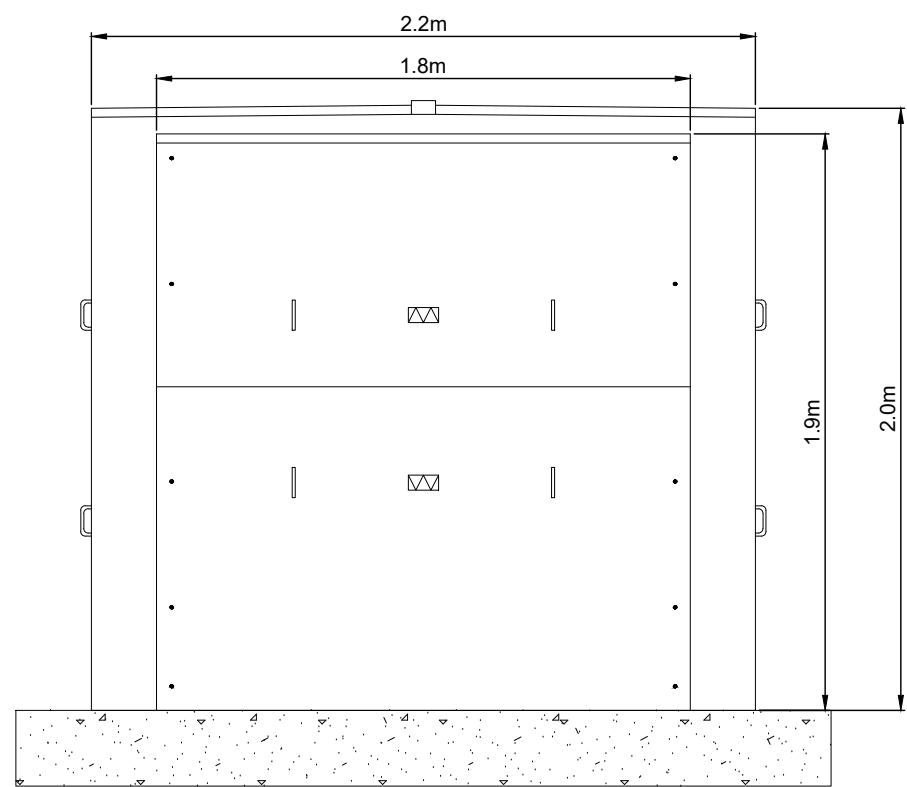
1. ALL DIMENSIONS ARE IN METRES UNLESS STATED OTHERWISE.
2. THIS DRAWING IS PRELIMINARY AND SUBJECT TO CHANGE AT THE DETAILED DESIGN STAGE.



**INDICATIVE NEUTRAL EARTHING
RESISTOR - PLAN VIEW**
SCALE - 1:25



**INDICATIVE NEUTRAL EARTHING RESISTOR -
FRONT ELEVATION**
SCALE - 1:25



**INDICATIVE NEUTRAL EARTHING RESISTOR - SIDE
ELEVATION**
SCALE - 1:25

INDICATIVE NEUTRAL
EARTHING RESISTOR
SHEET 9 OF 22.

LAYOUT DWG	N/A	T-LAYOUT NO.	N/A
------------	-----	--------------	-----

DRAWING NUMBER	05214-RES-SUB-DR-EE-002	REV	1
----------------	-------------------------	-----	---

SCALE - AS SHOWN @ A3

**ENVIRONMENTAL STATEMENT
2024**

THIS DRAWING IS THE PROPERTY OF RENEWABLE ENERGY SYSTEMS LTD. AND NO REPRODUCTION MAY BE MADE IN WHOLE OR IN PART WITHOUT PERMISSION

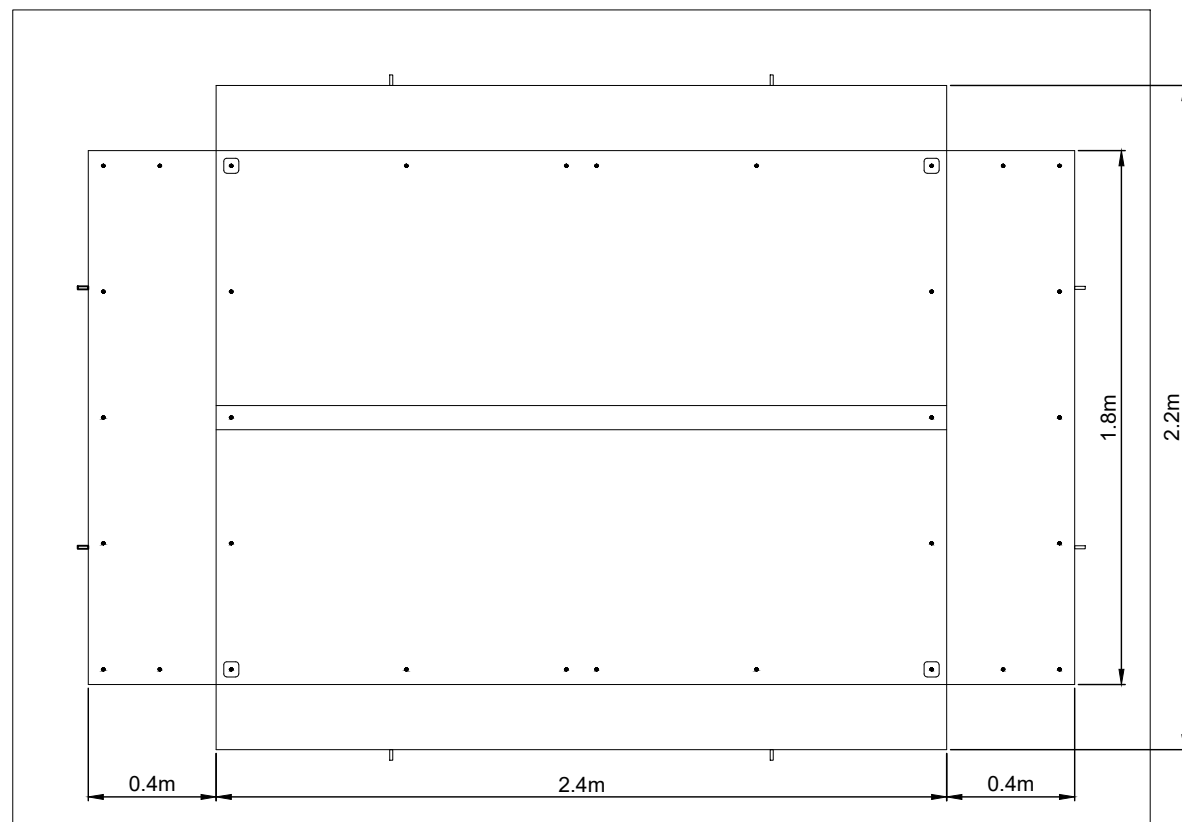
**DUNBEG SOUTH EXTENSION
WIND FARM**

FIGURE 1.6

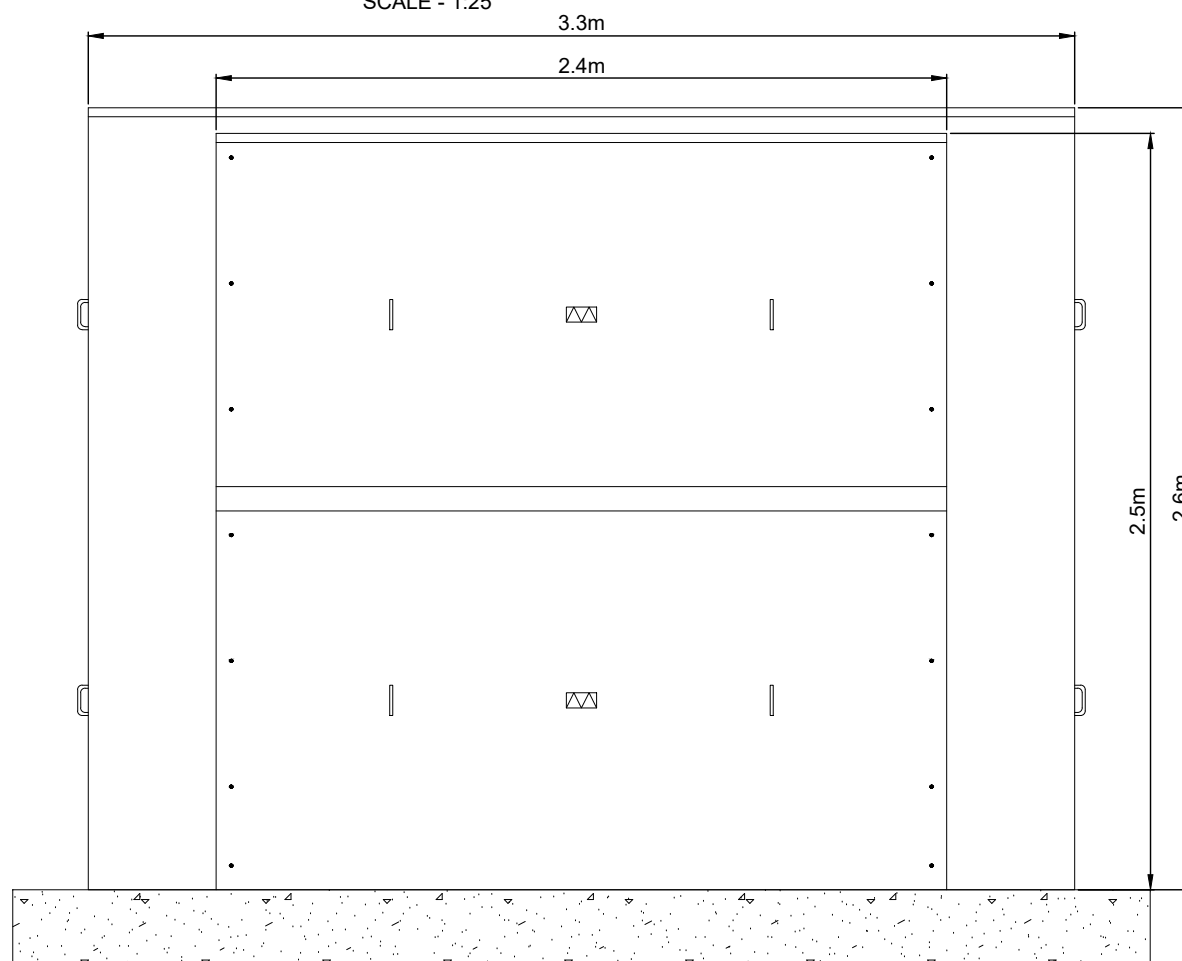
**CONTROL BUILDINGS &
SUBSTATION COMPOUND
ELEVATIONS**

NOTES

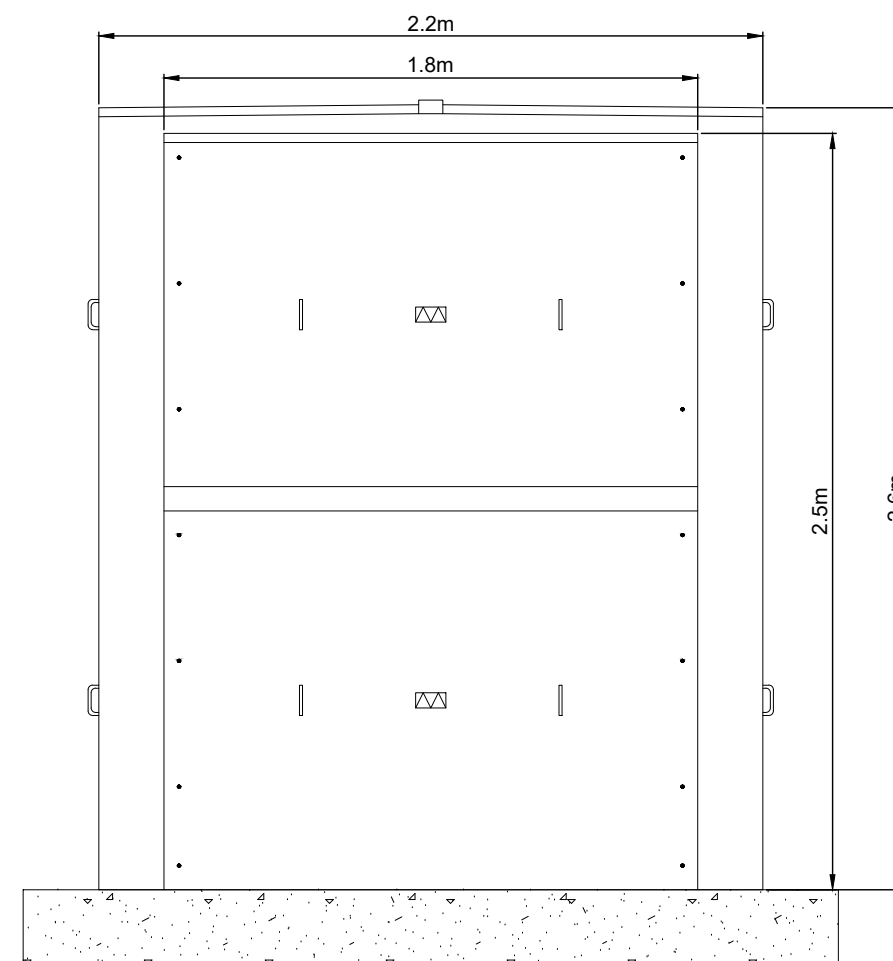
1. ALL DIMENSIONS ARE IN METRES UNLESS STATED OTHERWISE.
2. THIS DRAWING IS PRELIMINARY AND SUBJECT TO CHANGE AT THE DETAILED DESIGN STAGE.



**INDICATIVE PRE-INSERTION RESISTOR -
PLAN VIEW**
SCALE - 1:25



**INDICATIVE PRE-INSERTION RESISTOR -
FRONT ELEVATION**
SCALE - 1:25



**INDICATIVE PRE-INSERTION RESISTOR -
SIDE ELEVATION**
SCALE - 1:25

INDICATIVE
PRE-INSERTION
RESISTOR
SHEET 10 OF 22.

LAYOUT DWG	N/A	T-LAYOUT NO.	N/A
------------	-----	--------------	-----

DRAWING NUMBER	05214-RES-SUB-DR-EE-002	REV	1
----------------	-------------------------	-----	---

SCALE - AS SHOWN @ A3

**ENVIRONMENTAL STATEMENT
2024**

THIS DRAWING IS THE PROPERTY OF RENEWABLE ENERGY SYSTEMS LTD. AND NO REPRODUCTION MAY BE MADE IN WHOLE OR IN PART WITHOUT PERMISSION

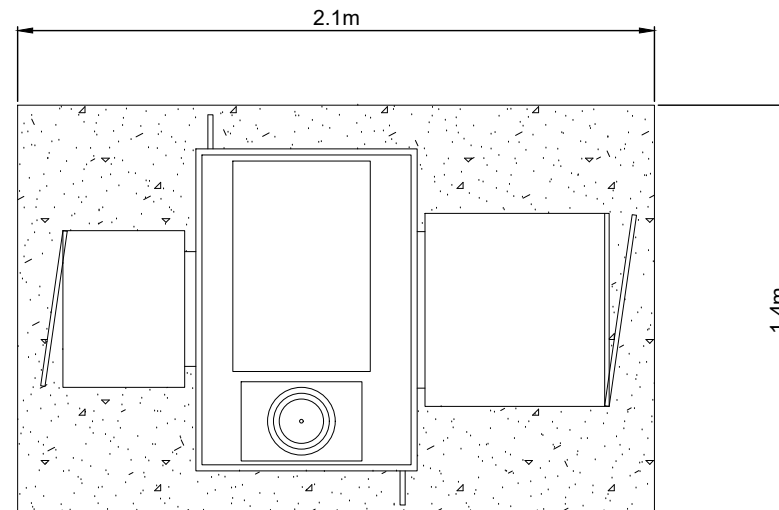
**DUNBEG SOUTH EXTENSION
WIND FARM**

FIGURE 1.6

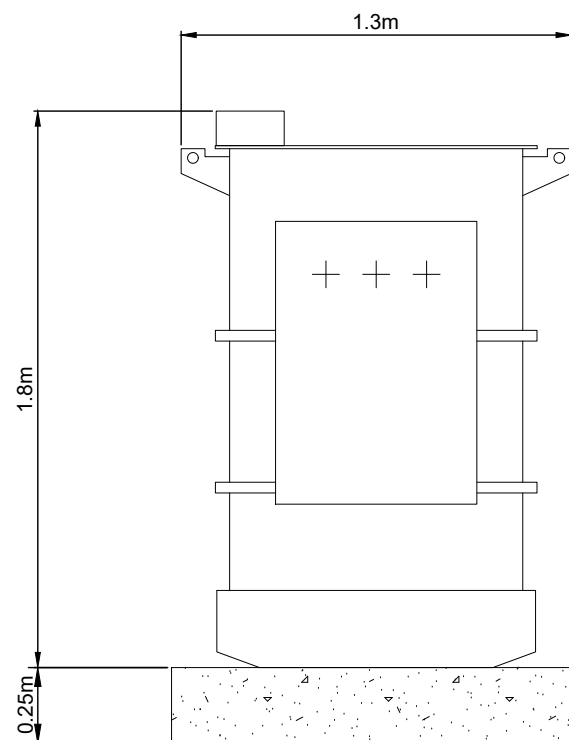
**CONTROL BUILDINGS &
SUBSTATION COMPOUND
ELEVATIONS**

NOTES

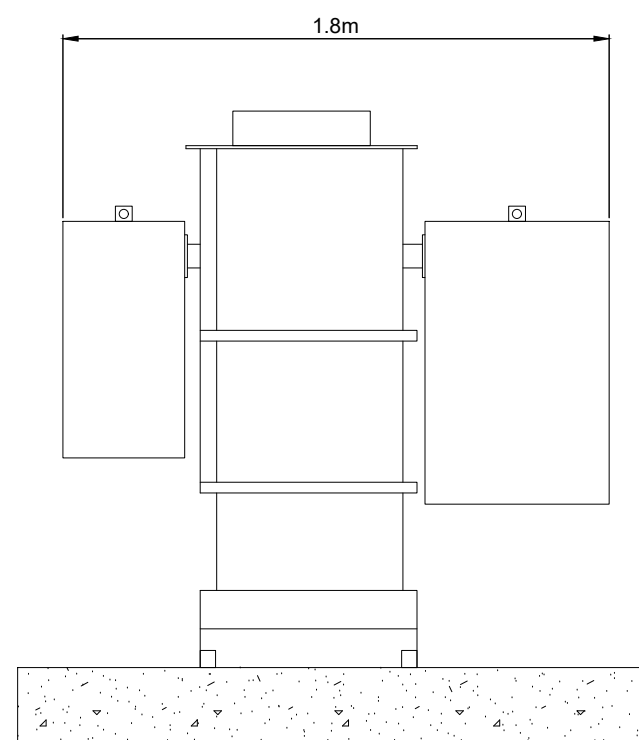
1. ALL DIMENSIONS ARE IN METRES UNLESS STATED OTHERWISE.
2. THIS DRAWING IS PRELIMINARY AND SUBJECT TO CHANGE AT THE DETAILED DESIGN STAGE.



**INDICATIVE AUXILIARY TRANSFORMER -
PLAN VIEW**
SCALE - 1:25



**INDICATIVE AUXILIARY TRANSFORMER -
SIDE ELEVATION**
SCALE - 1:25



**INDICATIVE AUXILIARY TRANSFORMER -
FRONT ELEVATION**
SCALE - 1:25

INDICATIVE AUXILIARY
TRANSFORMER
SHEET 11 OF 22.

LAYOUT DWG	N/A	T-LAYOUT NO.	N/A
------------	-----	--------------	-----

DRAWING NUMBER	REV
05214-RES-SUB-DR-EE-002	1

SCALE - AS SHOWN @ A3

**ENVIRONMENTAL STATEMENT
2024**

THIS DRAWING IS THE PROPERTY OF RENEWABLE ENERGY SYSTEMS LTD. AND NO REPRODUCTION MAY BE MADE IN WHOLE OR IN PART WITHOUT PERMISSION

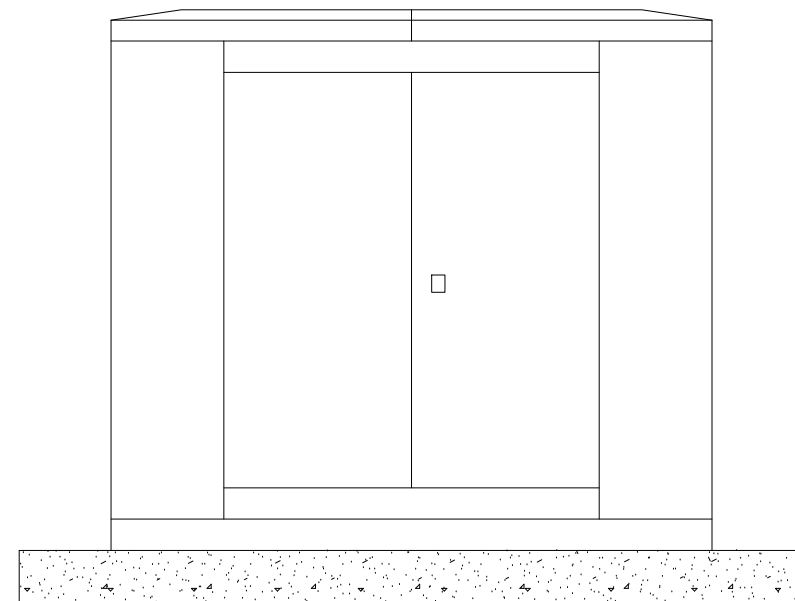
**DUNBEG SOUTH EXTENSION
WIND FARM**

FIGURE 1.6

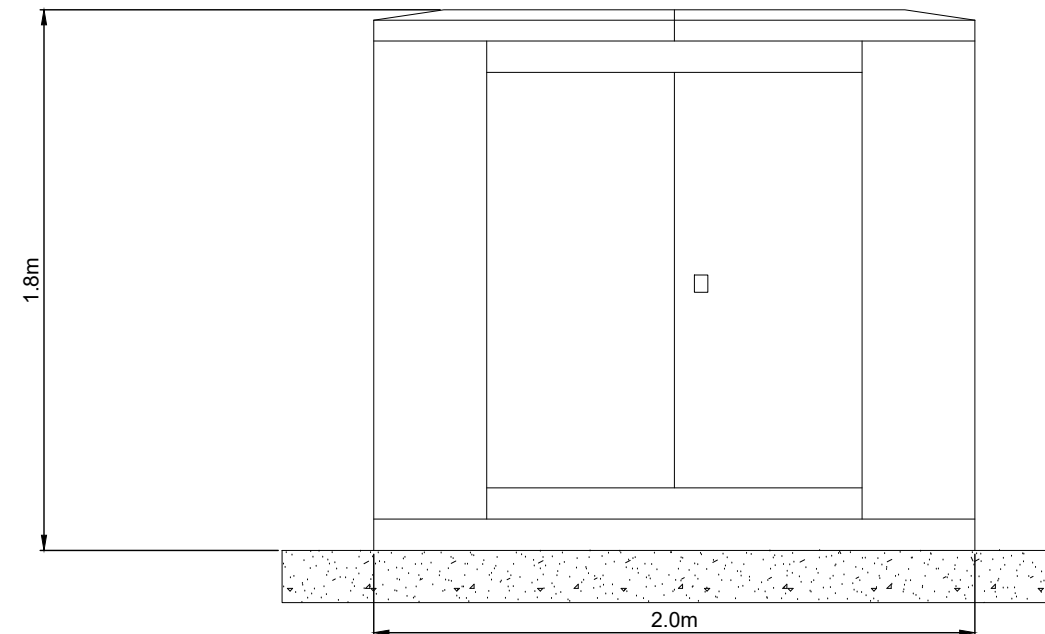
**CONTROL BUILDINGS &
SUBSTATION COMPOUND
ELEVATIONS**

NOTES

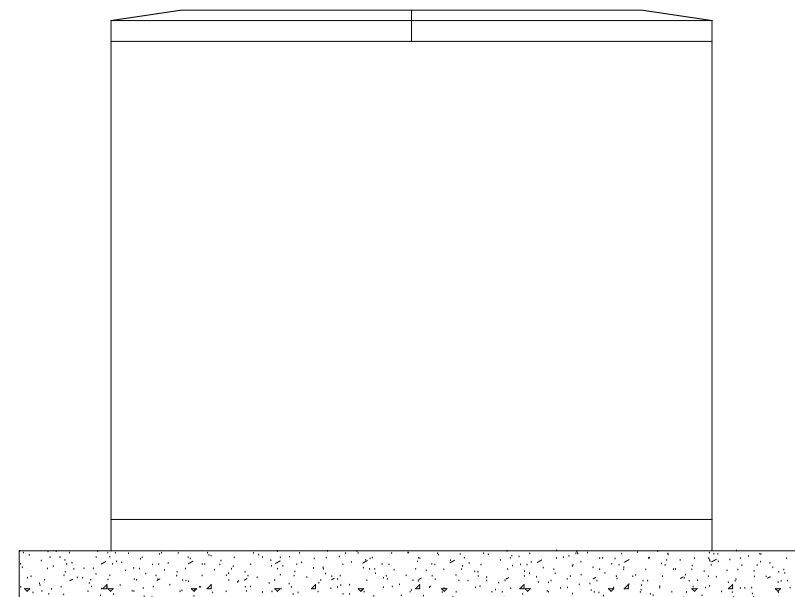
1. ALL DIMENSIONS ARE IN METRES UNLESS STATED OTHERWISE.
2. THIS DRAWING IS PRELIMINARY AND SUBJECT TO CHANGE AT THE DETAILED DESIGN STAGE.



**DIESEL GENERATOR - FRONT
ELEVATION**
SCALE - 1:25



DIESEL GENERATOR - REAR ELEVATION
SCALE - 1:25



DIESEL GENERATOR - SIDE VIEW
SCALE - 1:25

DIESEL GENERATOR
SHEET 12 OF 22.

LAYOUT DWG	N/A	T-LAYOUT NO.	N/A
------------	-----	--------------	-----

DRAWING NUMBER	05214-RES-SUB-DR-EE-002	REV	1
----------------	-------------------------	-----	---

SCALE - AS SHOWN @ A3

**ENVIRONMENTAL STATEMENT
2024**

THIS DRAWING IS THE PROPERTY OF RENEWABLE ENERGY SYSTEMS LTD. AND NO REPRODUCTION MAY BE MADE IN WHOLE OR IN PART WITHOUT PERMISSION

**DUNBEG SOUTH EXTENSION
WIND FARM**

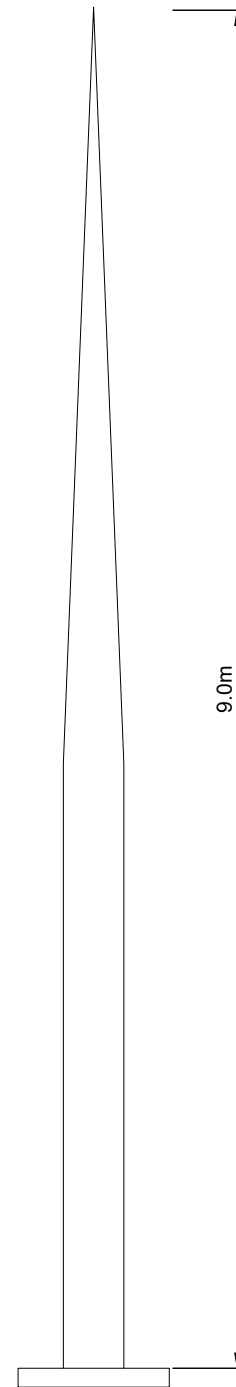
FIGURE 1.6

**CONTROL BUILDINGS &
SUBSTATION COMPOUND
ELEVATIONS**

NOTES

1. ALL DIMENSIONS ARE IN METRES UNLESS STATED OTHERWISE.
2. THIS DRAWING IS PRELIMINARY AND SUBJECT TO CHANGE AT THE DETAILED DESIGN STAGE.

LIGHTNING PROTECTION
COLUMN
SHEET 13 OF 22.



INDICATIVE LIGHTNING PROTECTION COLUMN
SCALE - 1:50

LAYOUT DWG	N/A	T-LAYOUT NO.	N/A
------------	-----	--------------	-----

DRAWING NUMBER	05214-RES-SUB-DR-EE-002	REV	1
----------------	-------------------------	-----	---

SCALE - AS SHOWN @ A3

**ENVIRONMENTAL STATEMENT
2024**

THIS DRAWING IS THE PROPERTY OF RENEWABLE ENERGY SYSTEMS LTD. AND NO REPRODUCTION MAY BE MADE IN WHOLE OR IN PART WITHOUT PERMISSION

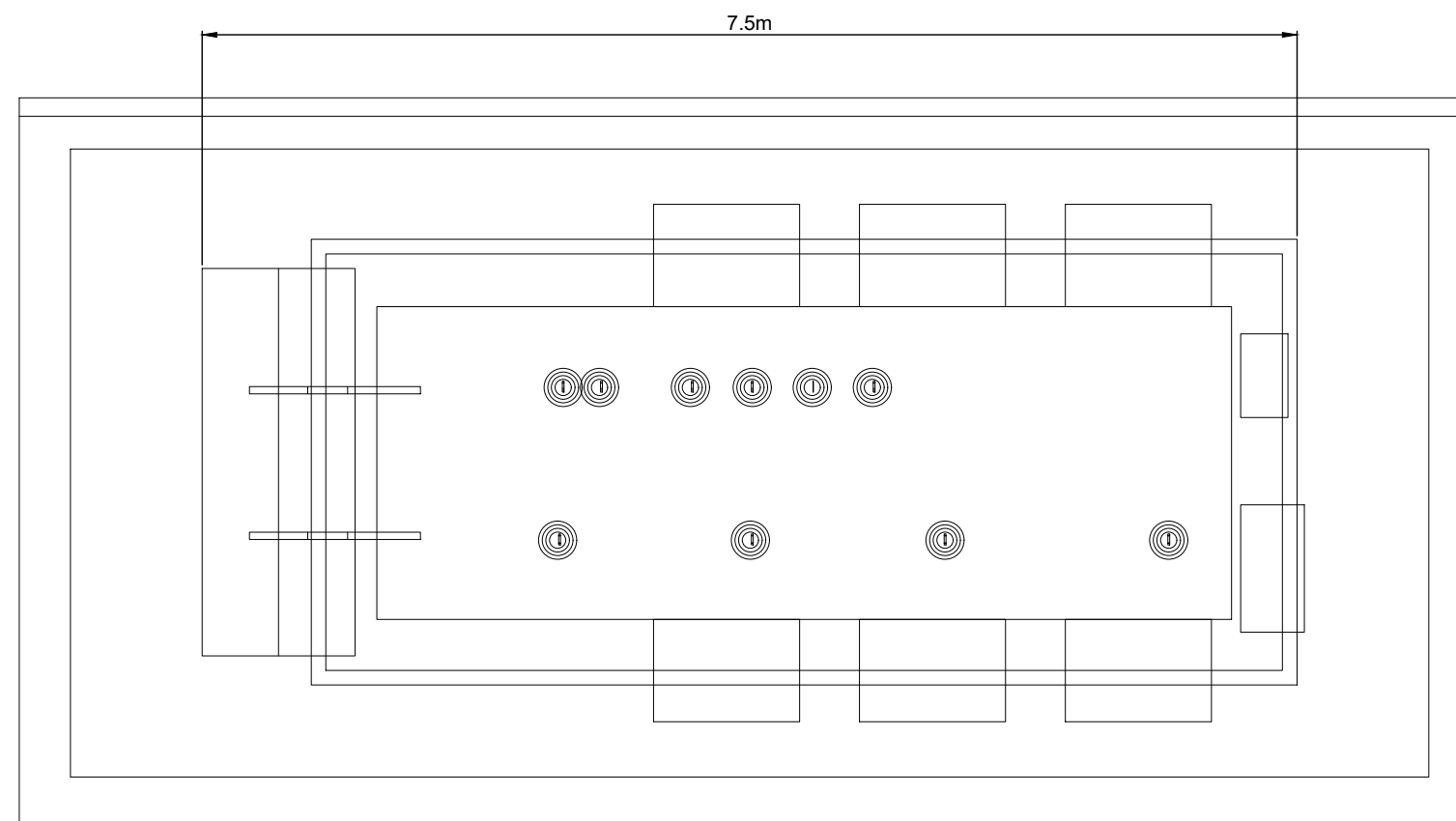
**DUNBEG SOUTH EXTENSION
WIND FARM**

FIGURE 1.6

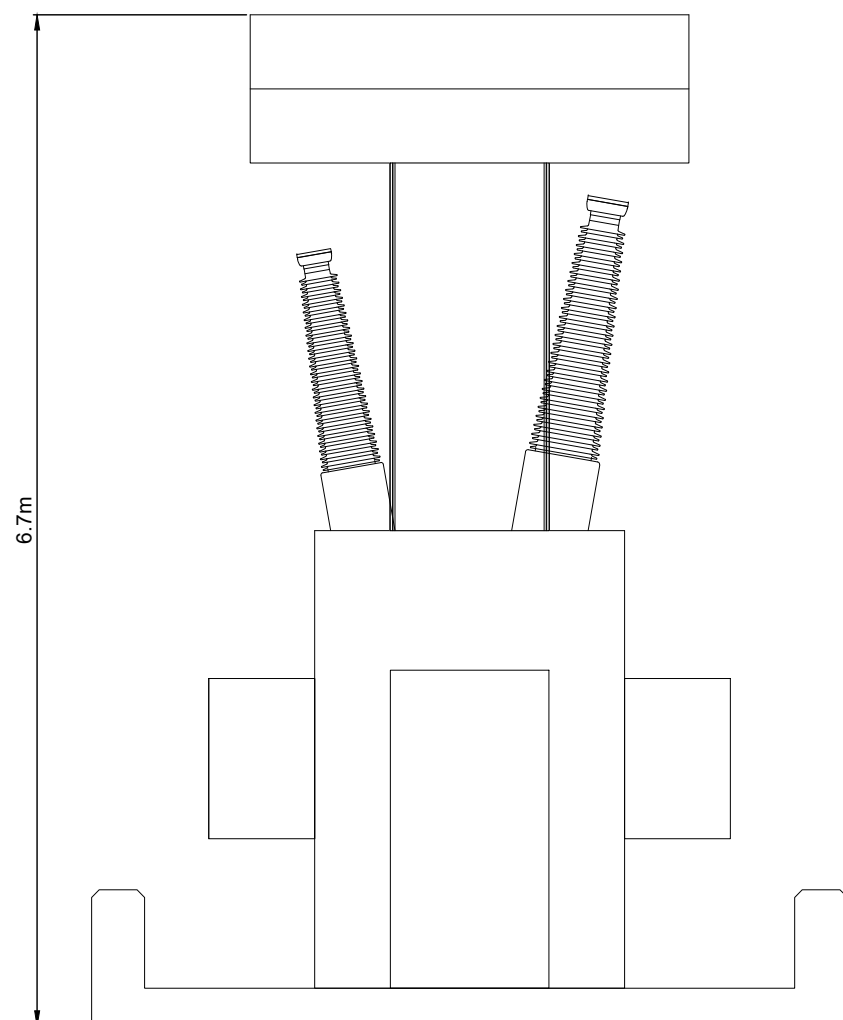
**CONTROL BUILDINGS &
SUBSTATION COMPOUND
ELEVATIONS**

NOTES

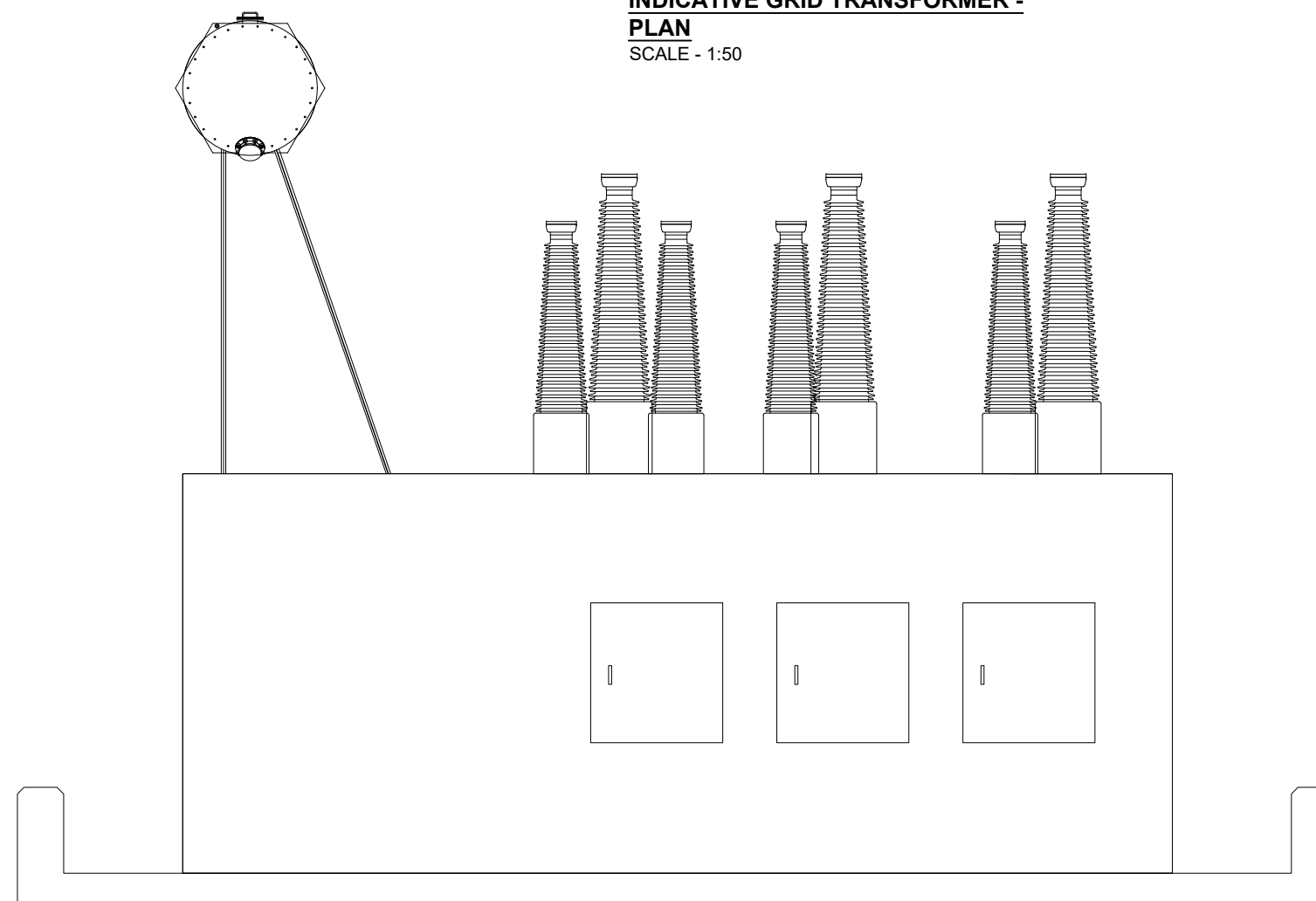
1. ALL DIMENSIONS ARE IN METRES UNLESS STATED OTHERWISE.
2. THIS DRAWING IS PRELIMINARY AND SUBJECT TO CHANGE AT THE DETAILED DESIGN STAGE.



**INDICATIVE GRID TRANSFORMER -
PLAN**
SCALE - 1:50



**INDICATIVE GRID TRANSFORMER -
FRONT ELEVATION**
SCALE - 1:50



**INDICATIVE GRID TRANSFORMER - SIDE
VIEW**
SCALE - 1:50

GRID TRANSFORMER
SHEET 14 OF 22.

LAYOUT DWG	N/A	T-LAYOUT NO.	N/A
------------	-----	--------------	-----

DRAWING NUMBER	05214-RES-SUB-DR-EE-002	REV	1
----------------	-------------------------	-----	---

SCALE - AS SHOWN @ A3

**ENVIRONMENTAL STATEMENT
2024**

THIS DRAWING IS THE PROPERTY OF RENEWABLE ENERGY SYSTEMS LTD. AND NO REPRODUCTION MAY BE MADE IN WHOLE OR IN PART WITHOUT PERMISSION

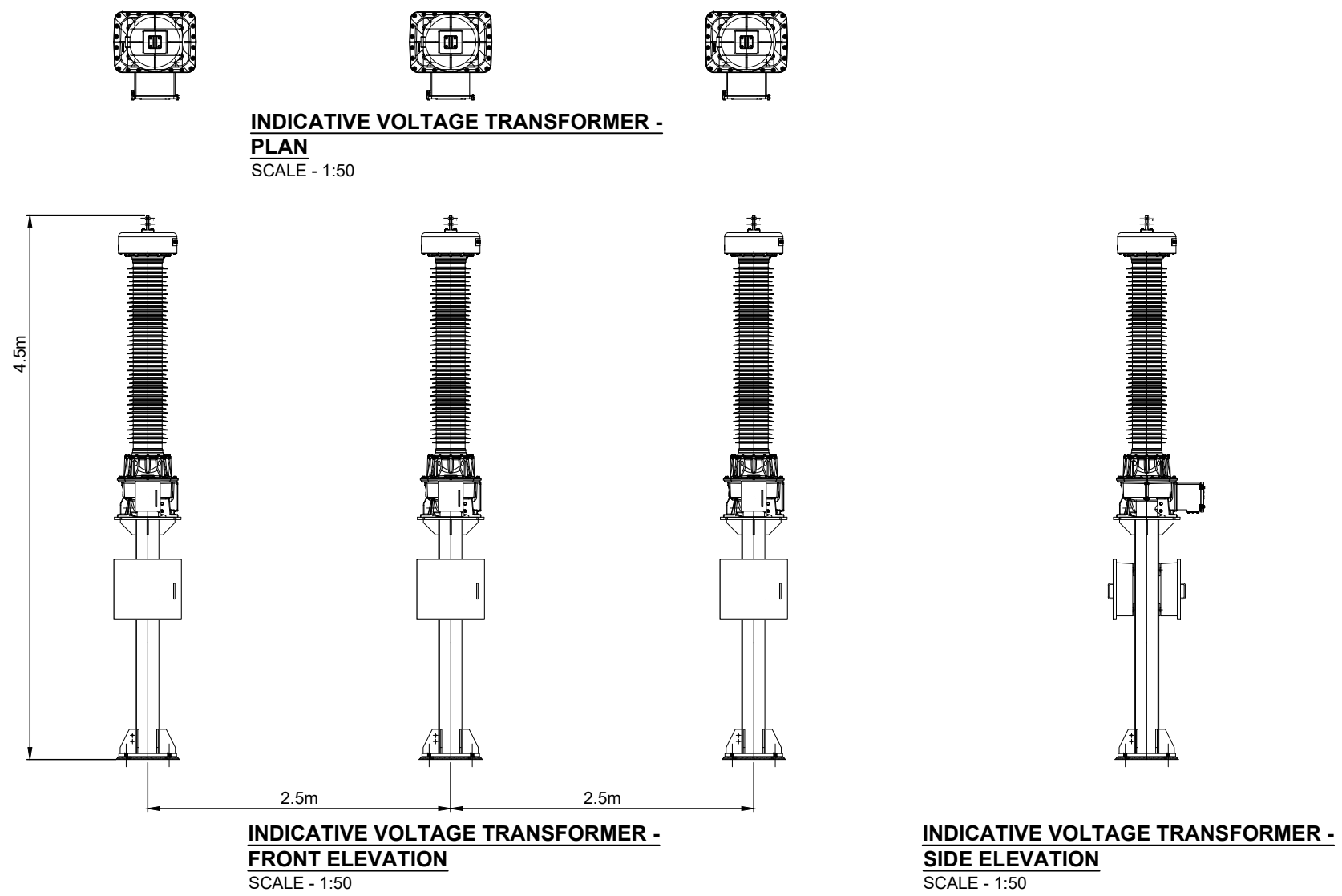
**DUNBEG SOUTH EXTENSION
WIND FARM**

FIGURE 1.6

**CONTROL BUILDINGS &
SUBSTATION COMPOUND
ELEVATIONS**

NOTES

1. ALL DIMENSIONS ARE IN METRES UNLESS STATED OTHERWISE.
2. THIS DRAWING IS PRELIMINARY AND SUBJECT TO CHANGE AT THE DETAILED DESIGN STAGE.



VOLTAGE
TRANSFORMER
SHEET 15 OF 22.

LAYOUT DWG	N/A	T-LAYOUT NO.	N/A
------------	-----	--------------	-----

DRAWING NUMBER	05214-RES-SUB-DR-EE-002	REV	1
----------------	-------------------------	-----	---

SCALE - AS SHOWN @ A3

**ENVIRONMENTAL STATEMENT
2024**

THIS DRAWING IS THE PROPERTY OF RENEWABLE ENERGY SYSTEMS LTD. AND NO REPRODUCTION MAY BE MADE IN WHOLE OR IN PART WITHOUT PERMISSION

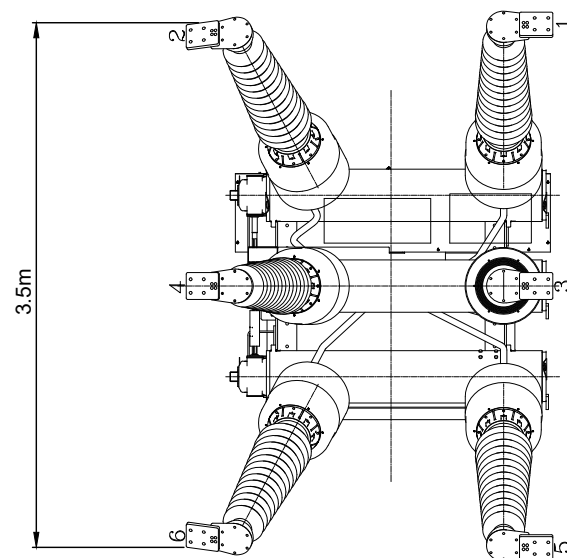
**DUNBEG SOUTH EXTENSION
WIND FARM**

FIGURE 1.6

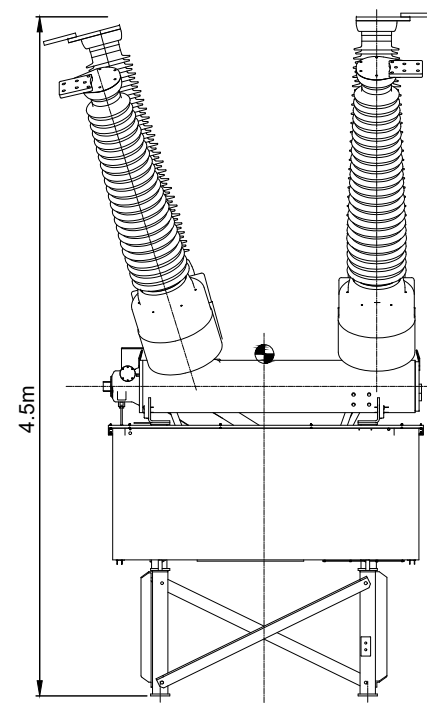
**CONTROL BUILDINGS &
SUBSTATION COMPOUND
ELEVATIONS**

NOTES

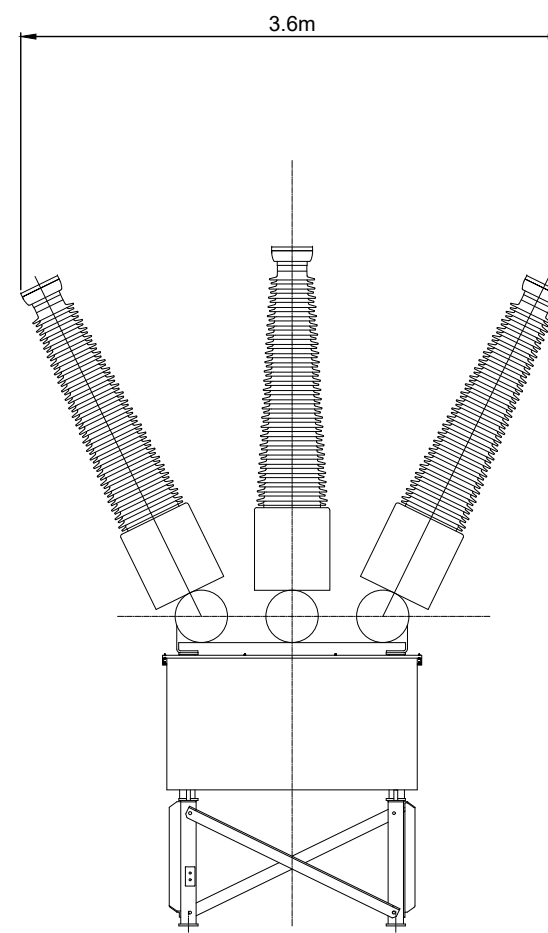
1. ALL DIMENSIONS ARE IN METRES UNLESS STATED OTHERWISE.
2. THIS DRAWING IS PRELIMINARY AND SUBJECT TO CHANGE AT THE DETAILED DESIGN STAGE.



INDICATIVE 110kV CB - PLAN
SCALE - 1:50



INDICATIVE 110kV CB - SIDE ELEVATION
SCALE - 1:50



**INDICATIVE 110kV CB - FRONT
ELEVATION**
SCALE - 1:50

110kV CIRCUIT BREAKER
SHEET 16 OF 22.

LAYOUT DWG	N/A	T-LAYOUT NO.	N/A
------------	-----	--------------	-----

DRAWING NUMBER	05214-RES-SUB-DR-EE-002	REV	1
----------------	-------------------------	-----	---

SCALE - AS SHOWN @ A3

**ENVIRONMENTAL STATEMENT
2024**

THIS DRAWING IS THE PROPERTY OF RENEWABLE ENERGY SYSTEMS LTD. AND NO REPRODUCTION MAY BE MADE IN WHOLE OR IN PART WITHOUT PERMISSION

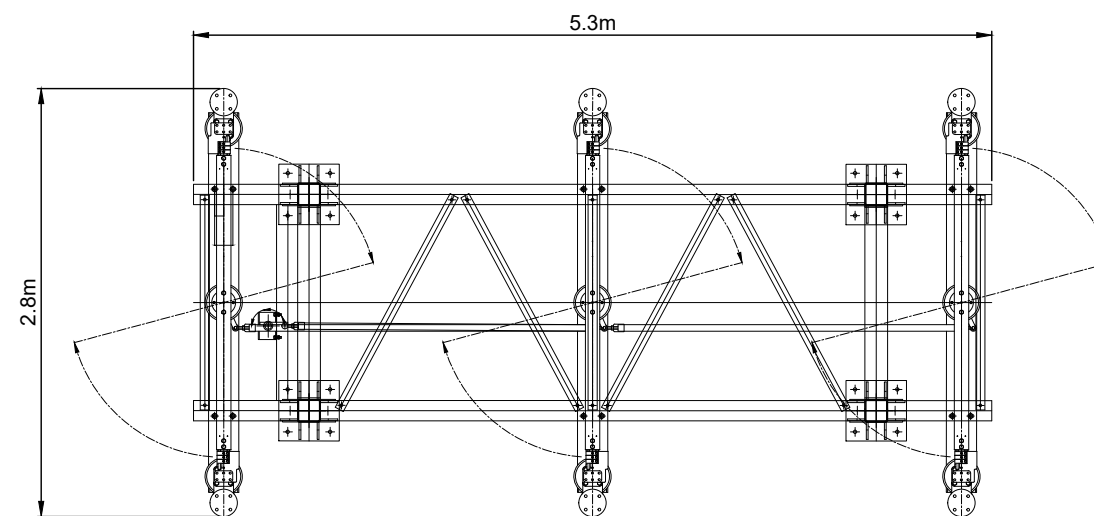
**DUNBEG SOUTH EXTENSION
WIND FARM**

FIGURE 1.6

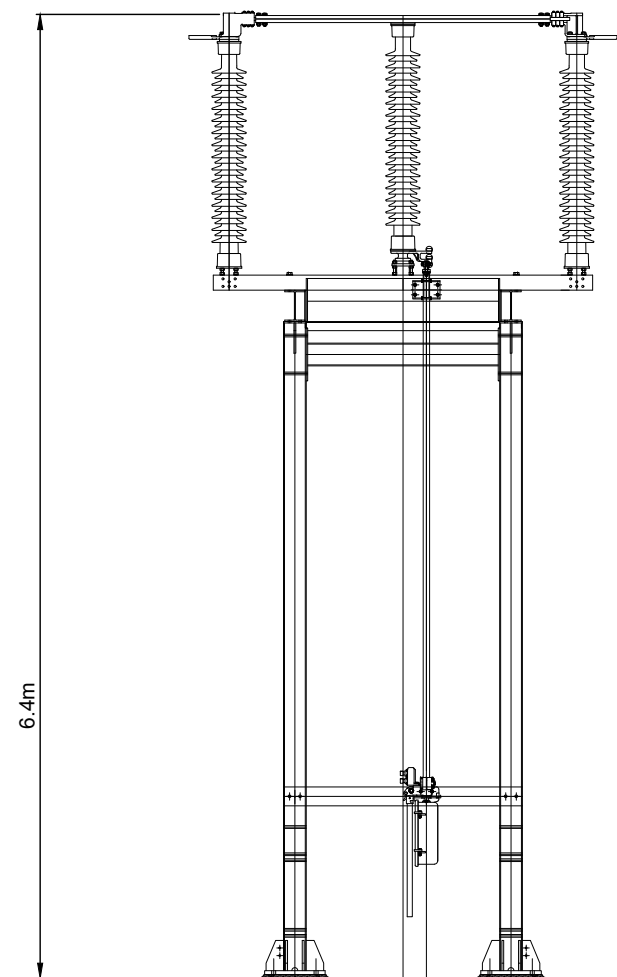
**CONTROL BUILDINGS &
SUBSTATION COMPOUND
ELEVATIONS**

NOTES

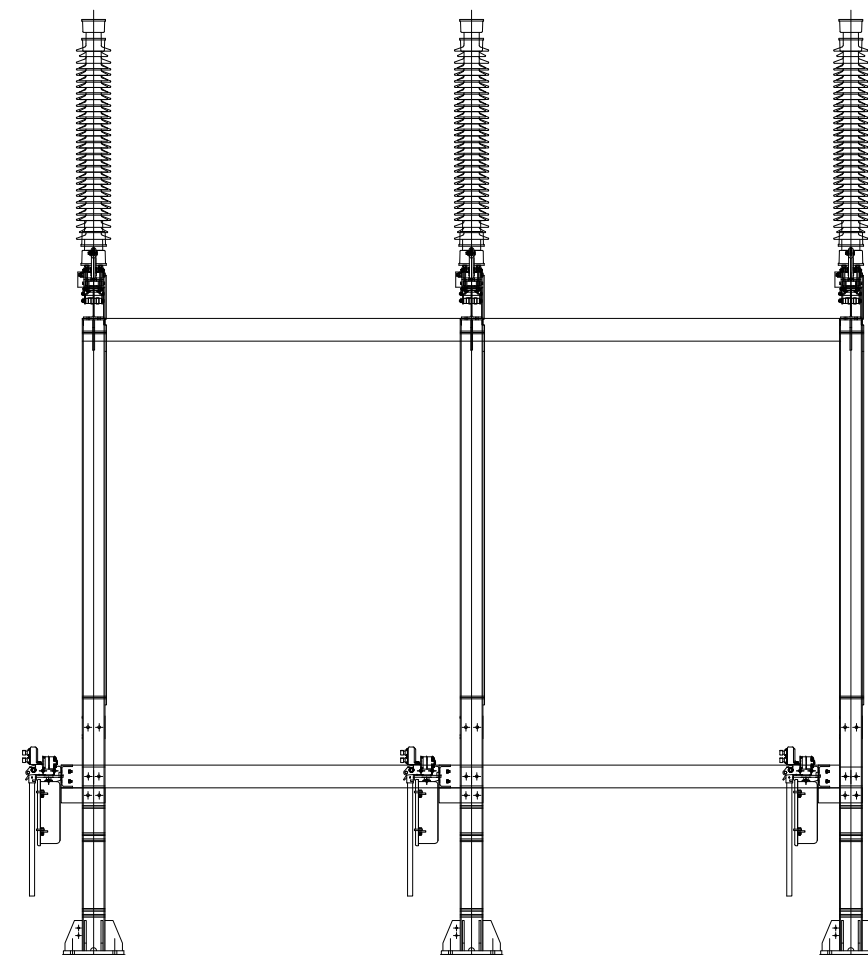
1. ALL DIMENSIONS ARE IN METRES UNLESS STATED OTHERWISE.
2. THIS DRAWING IS PRELIMINARY AND SUBJECT TO CHANGE AT THE DETAILED DESIGN STAGE.



HIGH LEVEL DISCONNECTOR - PLAN
SCALE - 1:50



**HIGH LEVEL DISCONNECTOR - SIDE
ELEVATION**
SCALE - 1:50



**HIGH LEVEL DISCONNECTOR - FRONT
ELEVATION**
SCALE - 1:50

110kV DISCONNECTOR
SHEET 17 OF 22.

LAYOUT DWG	N/A	T-LAYOUT NO.	N/A
------------	-----	--------------	-----

DRAWING NUMBER	05214-RES-SUB-DR-EE-002	REV	1
----------------	-------------------------	-----	---

SCALE - AS SHOWN @ A3

**ENVIRONMENTAL STATEMENT
2024**

THIS DRAWING IS THE PROPERTY OF RENEWABLE ENERGY SYSTEMS LTD. AND NO REPRODUCTION MAY BE MADE IN WHOLE OR IN PART WITHOUT PERMISSION

**DUNBEG SOUTH EXTENSION
WIND FARM**

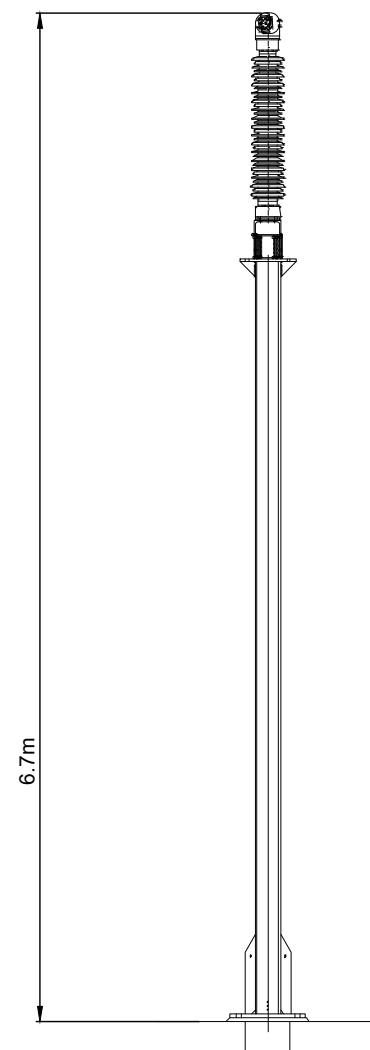
FIGURE 1.6

**CONTROL BUILDINGS &
SUBSTATION COMPOUND
ELEVATIONS**

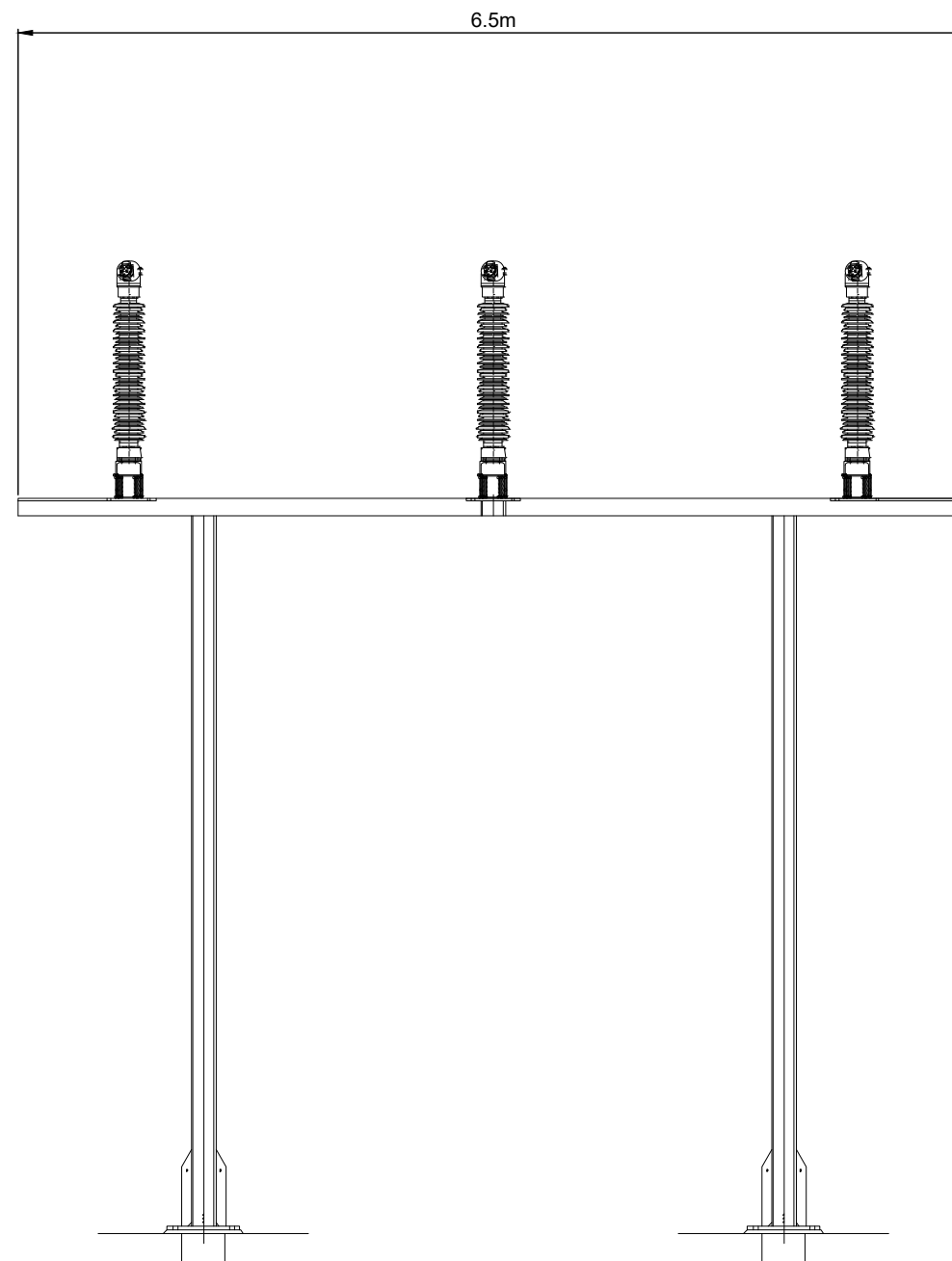
NOTES

1. ALL DIMENSIONS ARE IN METRES UNLESS STATED OTHERWISE.
2. THIS DRAWING IS PRELIMINARY AND SUBJECT TO CHANGE AT THE DETAILED DESIGN STAGE.

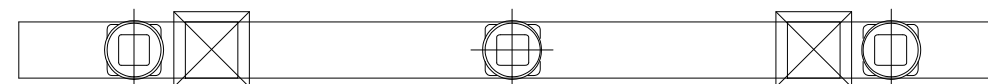
POST INSULATOR
SHEET 18 OF 22.



**INDICATIVE POST INSULATOR - SIDE
ELEVATION**
SCALE - 1:50



**INDICATIVE POST INSULATOR - FRONT
ELEVATION**
SCALE - 1:50



INDICATIVE POST INSULATOR - PLAN
SCALE - 1:50

LAYOUT DWG	N/A	T-LAYOUT NO.	N/A
------------	-----	--------------	-----

DRAWING NUMBER	05214-RES-SUB-DR-EE-002	REV	1
----------------	-------------------------	-----	---

SCALE - AS SHOWN @ A3

**ENVIRONMENTAL STATEMENT
2024**

THIS DRAWING IS THE PROPERTY OF RENEWABLE ENERGY SYSTEMS LTD. AND NO REPRODUCTION MAY BE MADE IN WHOLE OR IN PART WITHOUT PERMISSION

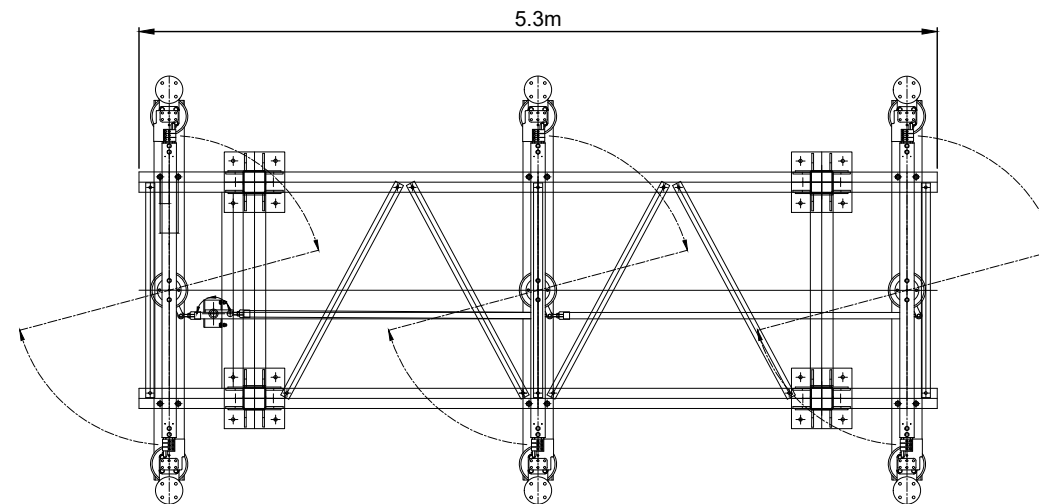
**DUNBEG SOUTH EXTENSION
WIND FARM**

FIGURE 1.6

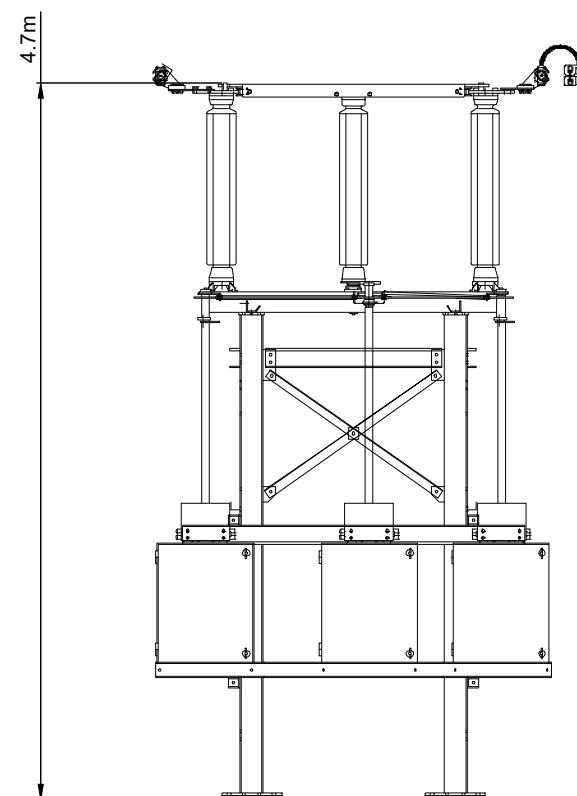
**CONTROL BUILDINGS &
SUBSTATION COMPOUND
ELEVATIONS**

NOTES

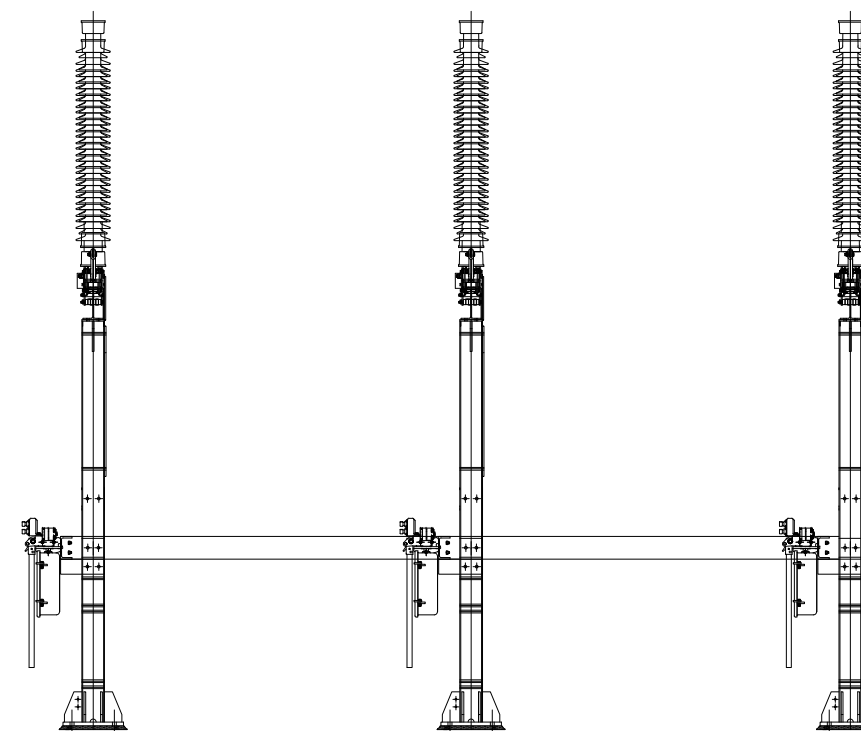
1. ALL DIMENSIONS ARE IN METRES UNLESS STATED OTHERWISE.
2. THIS DRAWING IS PRELIMINARY AND SUBJECT TO CHANGE AT THE DETAILED DESIGN STAGE.



DISCONNECTOR - PLAN
SCALE - 1:50



DISCONNECTOR - SIDE ELEVATION
SCALE - 1:50



DISCONNECTOR - FRONT ELEVATION
SCALE - 1:50

110kV DISCONNECTOR
SHEET 19 OF 22.

LAYOUT DWG	N/A	T-LAYOUT NO.	N/A
------------	-----	--------------	-----

DRAWING NUMBER	05214-RES-SUB-DR-EE-002	REV	1
----------------	-------------------------	-----	---

SCALE - AS SHOWN @ A3

**ENVIRONMENTAL STATEMENT
2024**

THIS DRAWING IS THE PROPERTY OF RENEWABLE ENERGY SYSTEMS LTD. AND NO REPRODUCTION MAY BE MADE IN WHOLE OR IN PART WITHOUT PERMISSION

**DUNBEG SOUTH EXTENSION
WIND FARM**

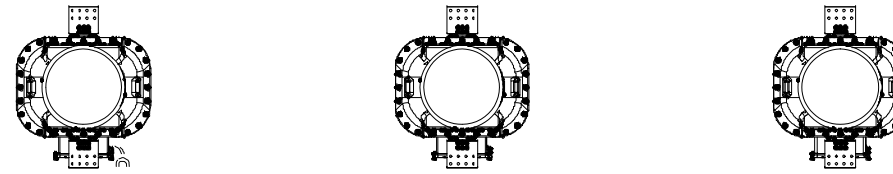
FIGURE 1.6

**CONTROL BUILDINGS &
SUBSTATION COMPOUND
ELEVATIONS**

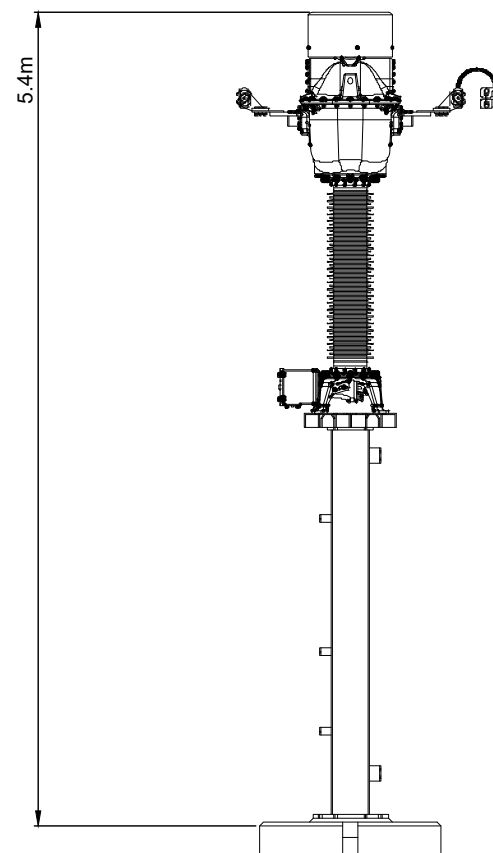
NOTES

1. ALL DIMENSIONS ARE IN METRES UNLESS STATED OTHERWISE.
2. THIS DRAWING IS PRELIMINARY AND SUBJECT TO CHANGE AT THE DETAILED DESIGN STAGE.

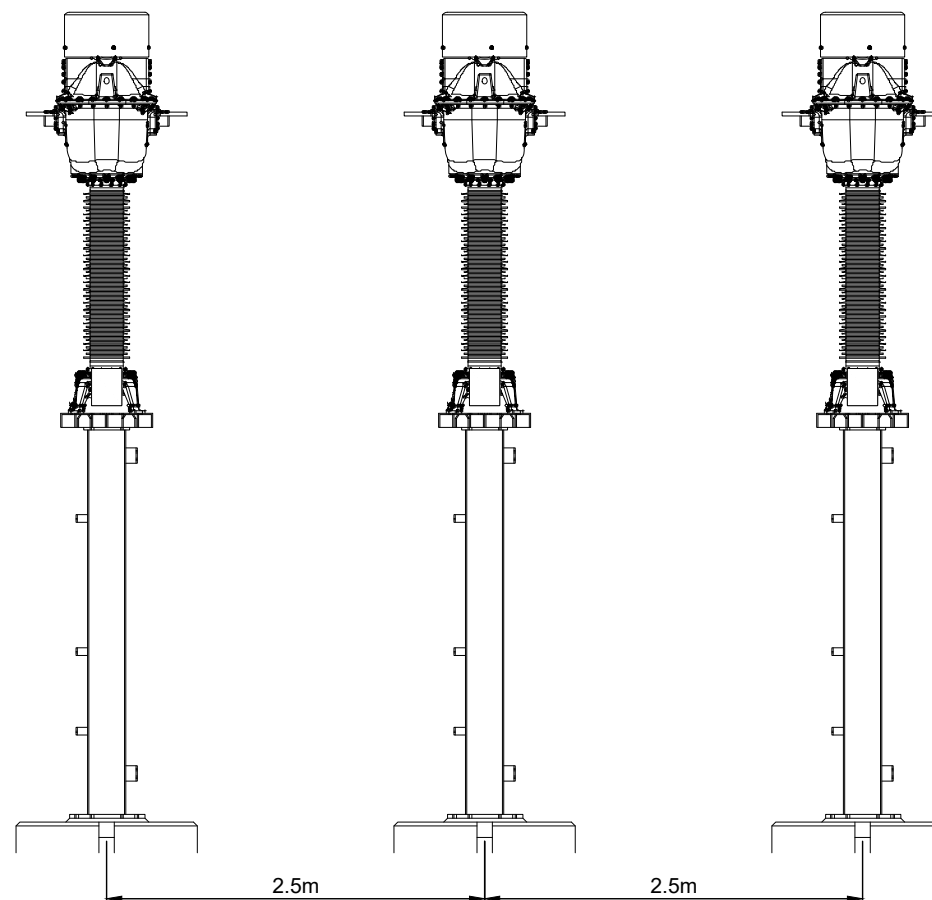
CURRENT
TRANSFORMER
SHEET 20 OF 22.



CURRENT TRANSFORMER- PLAN
SCALE - 1:50



**CURRENT TRANSFORMER- SIDE
ELEVATION**
SCALE - 1:50



**CURRENT TRANSFORMER- FRONT
ELEVATION**
SCALE - 1:50

LAYOUT DWG	N/A	T-LAYOUT NO.	N/A
------------	-----	--------------	-----

DRAWING NUMBER	05214-RES-SUB-DR-EE-002	REV	1
----------------	-------------------------	-----	---

SCALE - AS SHOWN @ A3

**ENVIRONMENTAL STATEMENT
2024**

THIS DRAWING IS THE PROPERTY OF RENEWABLE ENERGY SYSTEMS LTD. AND NO REPRODUCTION MAY BE MADE IN WHOLE OR IN PART WITHOUT PERMISSION

**DUNBEG SOUTH EXTENSION
WIND FARM**

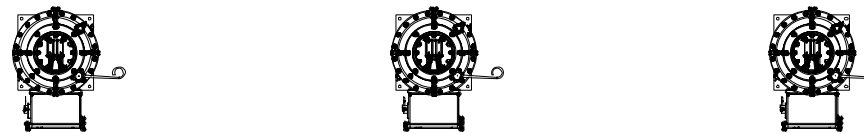
FIGURE 1.6

**CONTROL BUILDINGS &
SUBSTATION COMPOUND
ELEVATIONS**

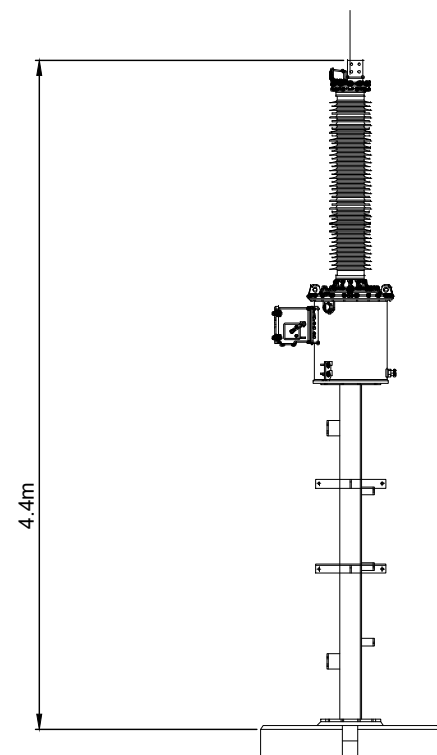
NOTES

1. ALL DIMENSIONS ARE IN METRES UNLESS STATED OTHERWISE.
2. THIS DRAWING IS PRELIMINARY AND SUBJECT TO CHANGE AT THE DETAILED DESIGN STAGE.

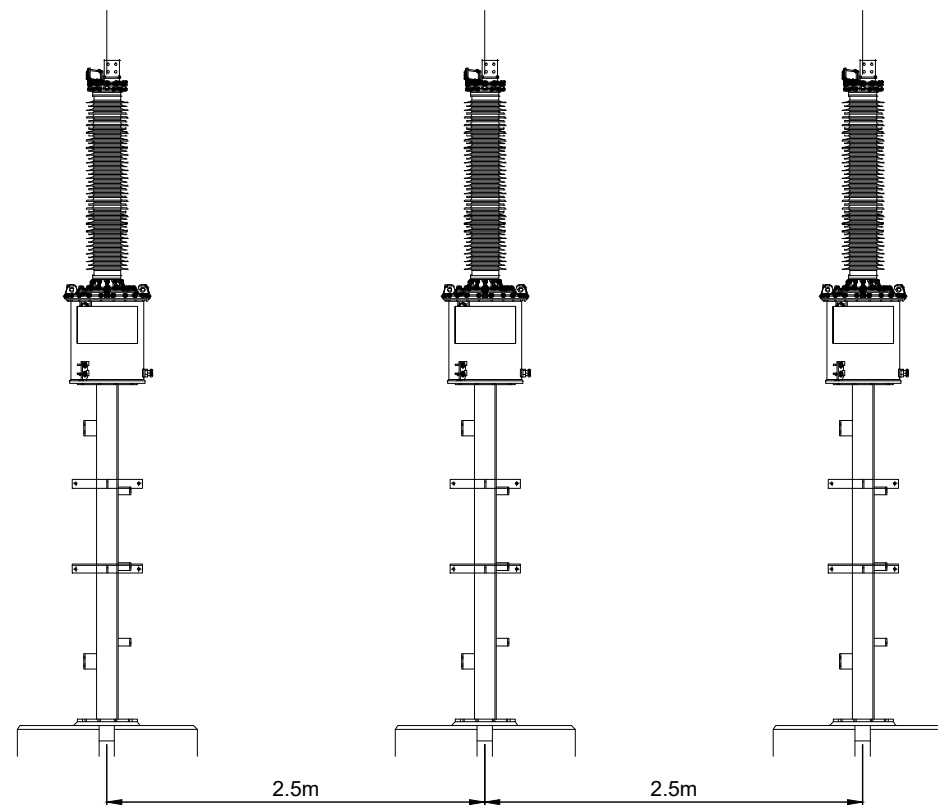
VOLTAGE
TRANSFORMER
SHEET 21 OF 22.



VOLTAGE TRANSFORMER- PLAN
SCALE - 1:50



**VOLTAGE TRANSFORMER- SIDE
ELEVATION**
SCALE - 1:50



**VOLTAGE TRANSFORMER- FRONT
ELEVATION**
SCALE - 1:50

LAYOUT DWG	N/A	T-LAYOUT NO.	N/A
------------	-----	--------------	-----

DRAWING NUMBER	05214-RES-SUB-DR-EE-002	REV	1
----------------	-------------------------	-----	---

SCALE - AS SHOWN @ A3

**ENVIRONMENTAL STATEMENT
2024**

THIS DRAWING IS THE PROPERTY OF RENEWABLE ENERGY SYSTEMS LTD. AND NO REPRODUCTION MAY BE MADE IN WHOLE OR IN PART WITHOUT PERMISSION

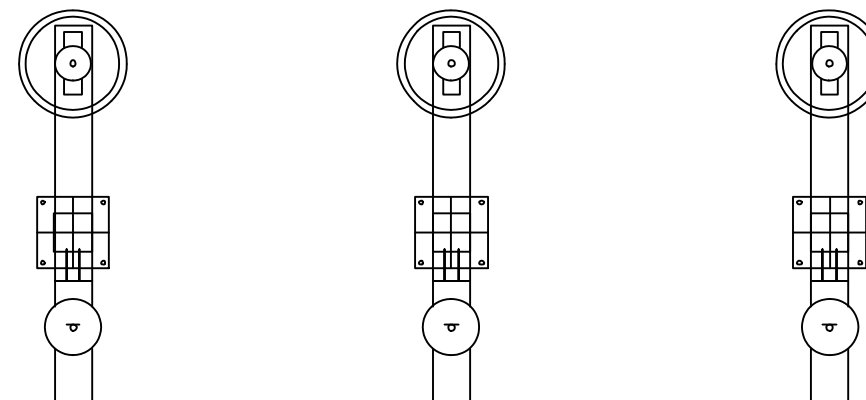
**DUNBEG SOUTH EXTENSION
WIND FARM**

FIGURE 1.6

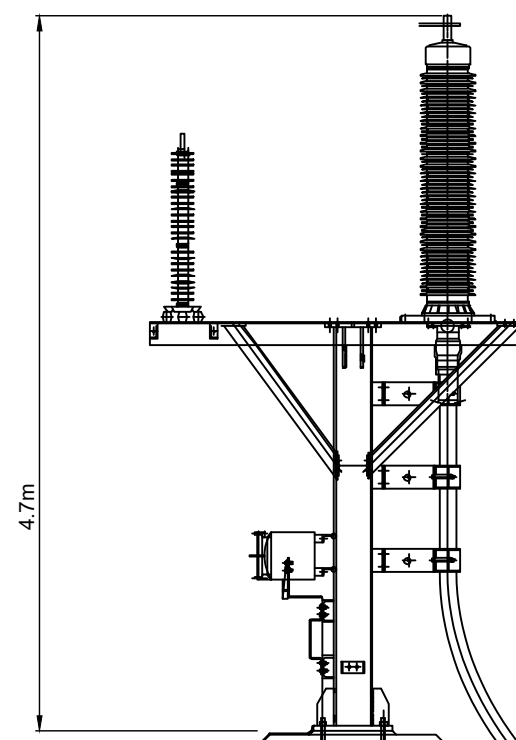
**CONTROL BUILDINGS &
SUBSTATION COMPOUND
ELEVATIONS**

NOTES

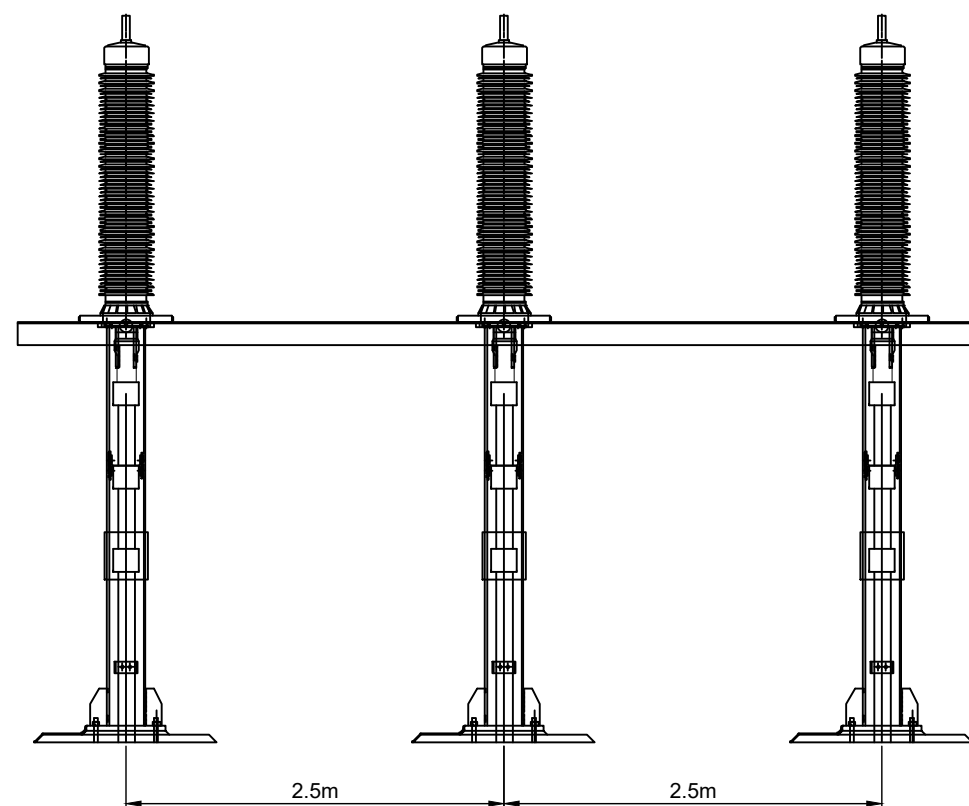
1. ALL DIMENSIONS ARE IN METRES UNLESS STATED OTHERWISE.
2. THIS DRAWING IS PRELIMINARY AND SUBJECT TO CHANGE AT THE DETAILED DESIGN STAGE.



CABLE SEALING END- PLAN
SCALE - 1:50



CABLE SEALING END- SIDE ELEVATION
SCALE - 1:50



**CABLE SEALING END- FRONT
ELEVATION**
SCALE - 1:50

CABLE SEALING END
AND SURGE ARRESTOR
SHEET 22 OF 22.

LAYOUT DWG	N/A	T-LAYOUT NO.	N/A
------------	-----	--------------	-----

DRAWING NUMBER	05214-RES-SUB-DR-EE-002	REV	1
----------------	-------------------------	-----	---

SCALE - AS SHOWN @ A3

**ENVIRONMENTAL STATEMENT
2024**

THIS DRAWING IS THE PROPERTY OF RENEWABLE ENERGY SYSTEMS LTD. AND NO REPRODUCTION MAY BE MADE IN WHOLE OR IN PART WITHOUT PERMISSION