

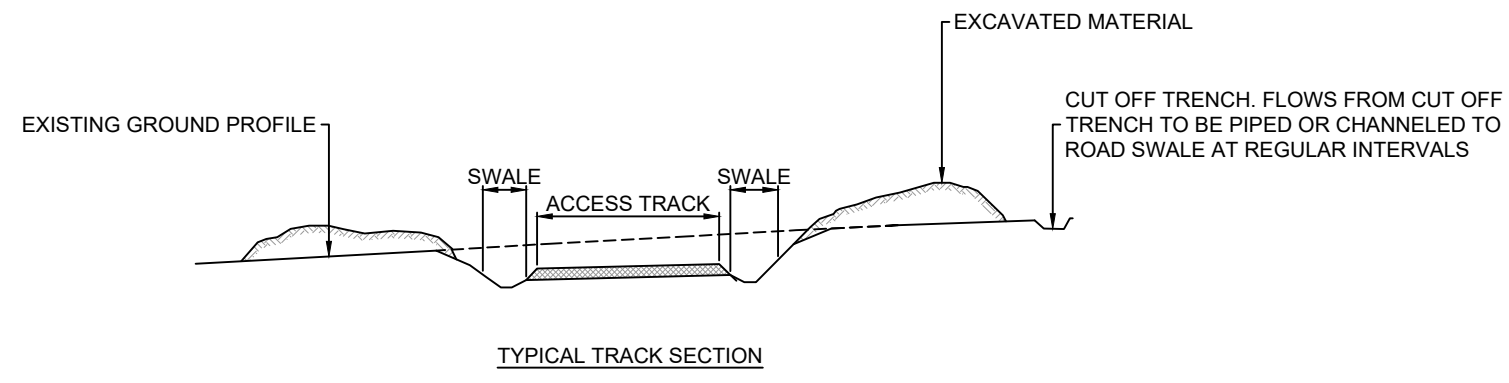
**DUNBEG SOUTH EXTENSION
WIND FARM**

FIGURE 1.14

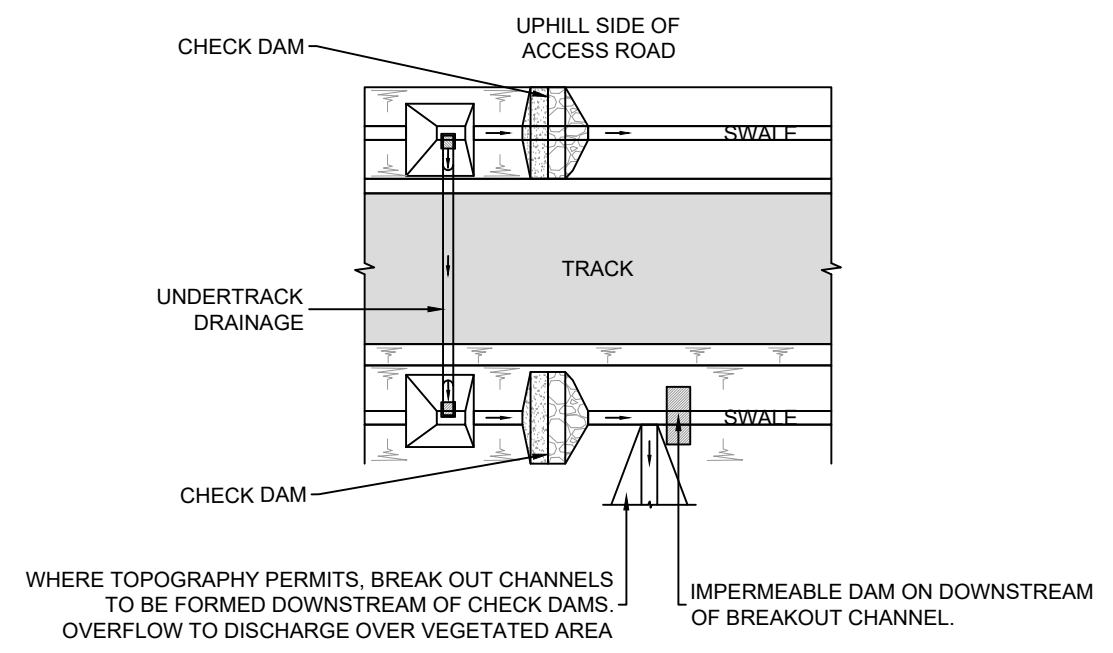
**TYPICAL DRAINAGE
DETAILS**

NOTES:

1. SUDS SYSTEM TO BE CONSTRUCTED PRIOR TO, OR AT THE SAME TIME AS THE ACCESS ROAD.
2. SUSTAINABLE PREVENTION MEASURES SHOULD BE IN PLACE AT ALL TIMES TO PREVENT THE CONVEYANCE OF SILTS TO RECEIVING WATERCOURSE.
3. DRAINAGE SWALES TO BE EXCAVATED ADJACENT TO THE ACCESS TRACK. REGULAR CROSS DRAINS TO BE LOCATED ALONG ACCESS TRACKS TO PREVENT EXCESSIVE VOLUMES OF WATER COLLECTING IN THE SWALES.
4. ROADSIDE SWALES TO BE SHALLOW WITH MODERATE GRADIENTS TO PREVENT SCOURING. IN STEEP AREAS CHECK DAMS WILL BE DESIGNED TO REDUCE FLOW RATE AND PROVIDE SOURCE CONTROL SILT CONTAINMENT. WHERE NECESSARY THESE WILL BE DESIGNED IN CONJUNCTION WITH SETTLEMENT PONDS AND/OR CROSS DRAINS.
5. BUILD UP OF SILT LEVELS AT CHECK DAMS TO BE REMOVED AND DISPOSED OF APPROPRIATELY. SILT LEVELS AT CHECK DAMS TO BE VISUALLY INSPECTED AS PART OF AN ONGOING MAINTENANCE PROGRAMME.
6. SPACING AND FREQUENCY OF CHECK DAMS WILL BE DEPENDENT UPON LONGITUDINAL GRADIENT OF SWALE.



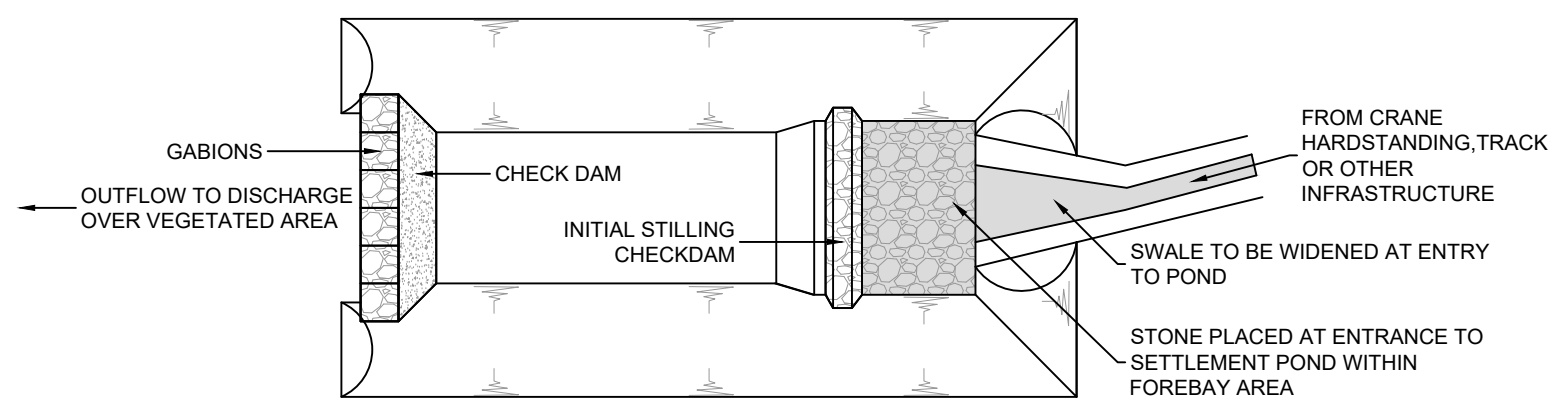
TYPICAL UNDER TRACK DRAINAGE



TYPICAL TRACK PLAN



TYPICAL CHECK DAM



TYPICAL SETTLEMENT POND



TYPICAL SETTLEMENT POND

LAYOUT DWG	N/A	T-LAYOUT NO.	N/A
------------	-----	--------------	-----

DRAWING NUMBER	05214-RES-DRN-DR-PE-001	REV	1
----------------	-------------------------	-----	---

SCALE - AS SHOWN @ A3

**ENVIRONMENTAL STATEMENT
2024**

THIS DRAWING IS THE PROPERTY OF RENEWABLE ENERGY SYSTEMS LTD. AND NO REPRODUCTION MAY BE MADE IN WHOLE OR IN PART WITHOUT PERMISSION